

Assembly and operating instructions
Aluminum bridging & platform staircase system

DIN EN 131, DIN EN ISO 14122



Introduction

Dear customer,

By purchasing this aluminum bridging & platform stair system, you have chosen a quality product from Hailo.

We thank you for your trust.

These installation and operating instructions describe the installation, use, maintenance and testing of the system.

Please read these instructions completely and observe all safety instructions.

Damage caused by failure to observe these instructions and the safety instructions will invalidate the warranty. We accept no liability for consequential damage resulting from this.

If you have any questions or suggestions, please give us a call.

We are at your disposal.

*Hailo-Werk, Rudolf Loh GmbH & Co. KG
P.O. Box 1262, 35708 Haiger, Germany*

*Tel: +49 (0) 2773 82-0
Fax: +49 (0) 2773 82-1218*

*E-Mail: professional@hailo.de
www.hailo-professional.de*

The system described in these installation and operating instructions complies with standards EN 131 and EN 14122.

The main components of the system have been type-tested by the following testing and certification body:

*TÜV Austria Services GmbH
Deutschstrasse 10
A - 1230 Vienna*



Table of contents

| | |
|--|-----------|
| <i>Introduction</i> | <i>2</i> |
| <i>1. preliminary notes</i> | <i>4</i> |
| <i>2. safety instructions</i> | <i>6</i> |
| <i>3 Warranty and liability</i> | <i>7</i> |
| <i>4 General installation instructions</i> | <i>8</i> |
| <i>5 Assembly or installation</i> | <i>9</i> |
| <i>6. labeling</i> | <i>20</i> |
| <i>7. examination</i> | <i>21</i> |

1. preliminary information

How to use the installation and operating manual



The installation and operating manual should be read carefully and taken into consideration before installing and before using the fixed ladder system.

The operator must ensure that the installation and operating manual is stored on site (or at a suitable location) where a ladder system is in use and that it is made available at any time for the the users.

Texts or drawings that are highlighted by symbols distinguish particularly important content and dangerous situations.

Failure to follow these instructions can cause injury or even death.

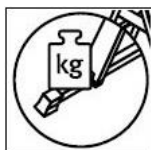
Symbols used in the manual:



General instruction



Take note of the documentation



Applicable depending on the version.

General regulations



The workplace ordinance demands that an authorised and qualified person inspects the ladders (including accessories) regularly to make sure that they are in good condition.

The time intervals for the inspections are to be determined by the employer (operator) and depend on the operating conditions.

Checklists may be obtained free of charge from Hailo.
runtergeladen werden.

legal regulations in the country of use.



Operators are responsible for:

- ensuring compliance with local, regional and national regulations,
- observing the regulations (laws, ordinances, guidelines, etc.) for safe handling listed in the assembly and operating instructions,
- ensuring that the assembly and operating instructions are available to the assembly and operating personnel before assembly and that the information provided – instructions, warnings and safety regulations – are followed in full,
- note that according to
DIN EN ISO 14122,
EN 131
different regulations for planning and installation must be followed.

2. safety instructions

- *Before each use, the necessary clearance must be ensured at the workplace below the user so that no impact with an obstacle is possible in the event of a fall.*
- *A visual inspection of the product must be carried out before each use. Do not walk on damaged products!*
- *The user must be physically and mentally capable of using the respective system. If it has been necessary to take medication beforehand, it is advisable to find out about any side effects that may lead to impairment or physical harm when using the system.*
- *Before starting work, the user must consult the operator about any necessary rescue measures, their initiation and implementation.*
- *Furthermore, in order to recognize the potential of possible danger spots, he must familiarize himself with the local particularities in advance.*
- *When installing and using accessories for this system, the enclosed instructions must be observed accordingly.*
- *Gloves must be worn during assembly and use.*
- *The products may only be used as intended and in a technically safe condition*
- *The system or components of the system must be withdrawn from use if there is any doubt as to their safe condition.
This must be carried out by a competent person and, if necessary, a repair or replacement must be arranged.*
- *The equipment may not be modified or supplemented without the express prior written consent of the manufacturer, otherwise the warranty will be invalidated.*
- *During assembly, maintenance or repair work, care must be taken to ensure that no scaffolding, platforms or other objects protrude into the fall zone, which could lead to additional hazards in the event of a fall.*
- *Do not use the product in the event of contamination, oil, snow or strong winds.*

3 Warranty and liability

Observance of the safety instructions and safety regulations is a prerequisite for safe handling and fault-free installation and use of the products.

These installation and operating instructions must be observed by all persons who install and use the products.

Furthermore, the accident prevention regulations applicable to the respective place of use must be observed.

No liability is accepted for damage to property or personal injury resulting from the following reasons:

- *Improper assembly and use of the products and their attachments.*
- *Improper use of the products and their attachments.*
- *Use of the products despite safety deficiencies.*
- *Failure to observe or ignorance of these installation and operating instructions.*
- *Unauthorized structural changes.*
- *Use of other than original spare parts.*
- *Insufficiently qualified installation and operating personnel.*

4. general installation instructions

- Before starting installation, ensure that the loads occurring can be absorbed by the structure.
- If no corresponding information is available, a structural expert opinion that takes into account the required load-bearing capacity is absolutely necessary and must also be verified.
- If the necessary evidence (for safe force absorption on the construction side) is not provided, the manufacturer may not be held liable in the event of damage. Liability is then transferred to the operator.

Assembly personnel

- The personnel installing the fixed ladder system must be suitably qualified and competent. For the use of the required fasteners training courses from the manufacturer be necessary.

Assembly implementation

- Only use clean and undamaged system parts. Damaged parts must be replaced with new ones.

Notes on fastening to the building

- The anchoring points and their connections (brackets, fasteners) must be able to support the loads.
- Only dowels approved by the building authorities may be used. Follow the anchor manufacturer's installation instructions!
- In the case of undefined substrates, the fastening system must be designed in consultation with the structural engineer.
- Through-anchoring with a counter plate is also conceivable. This must be agreed and verified with the structural engineer.

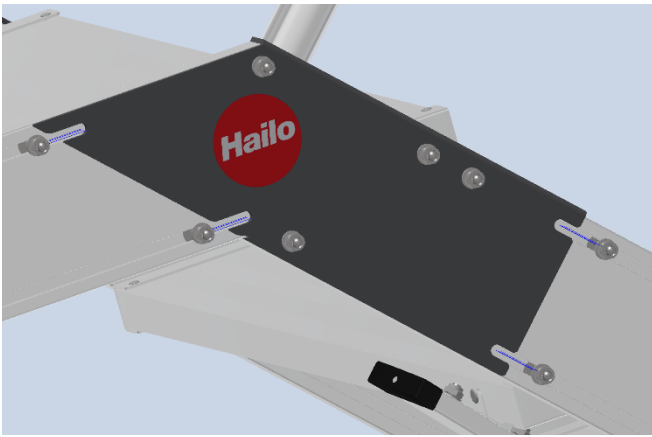
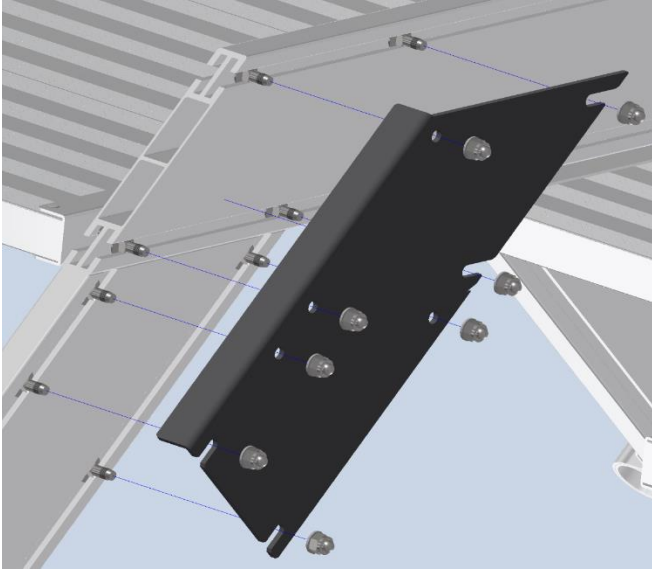
Screw tightening torques M_A (Nm)

| | <u>Galvanized steel</u> | | <u>Stainless</u> |
|------------------------------|-------------------------|-------|------------------|
| <u>steel</u> Strength class: | 8.8 | 10.9 | A 70 |
| M 6= | 10 Nm | 14 Nm | 8 Nm |
| M 8= | 18 Nm | 26 Nm | 14 Nm |
| M10= | 36 Nm | 53 Nm | 30 Nm |
| M12= | 61 Nm | 90 Nm | 50 Nm |

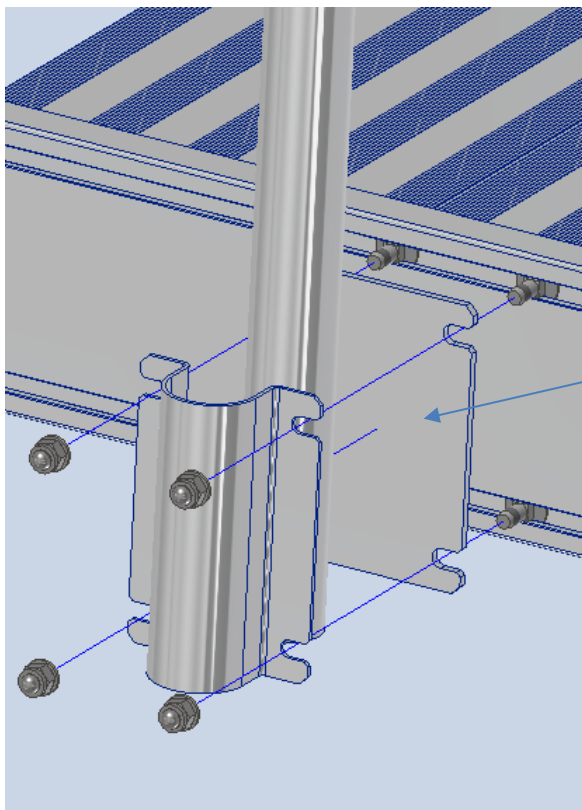
For stainless steel screw connections, assembly paste must be used to prevent cold welding, i.e. "galling"!

5. mounting or assembly

Fastening the staircase to the landing - M8 screw connection
All variants - for bridging steps on both sides

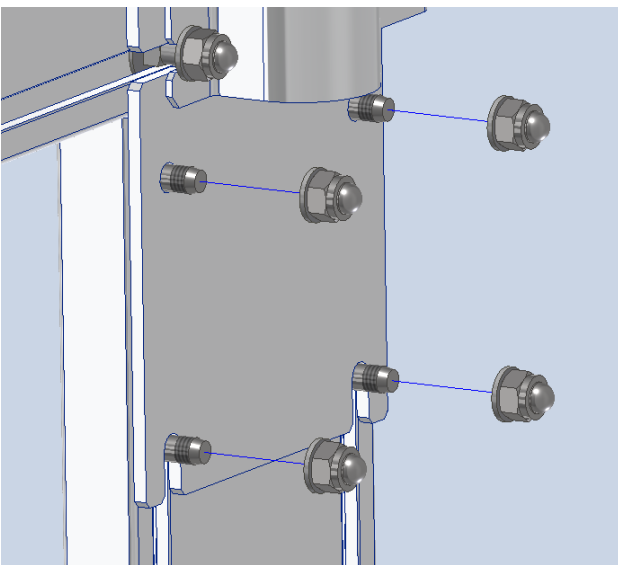
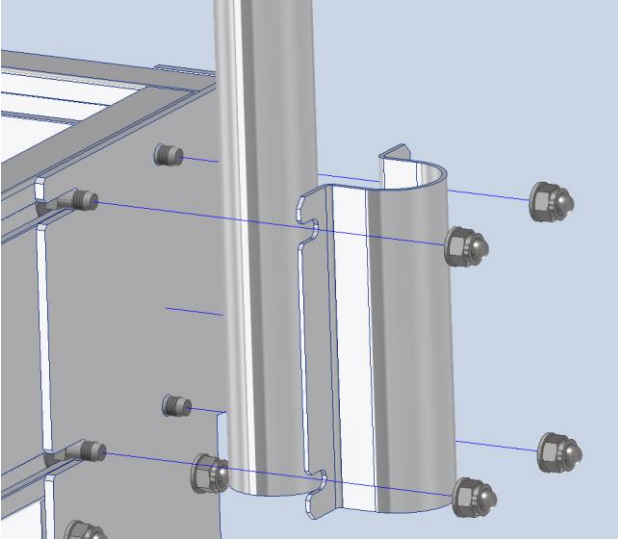


Fastening the railing parts to the stairs and the landing - M8 screw connection
All variants

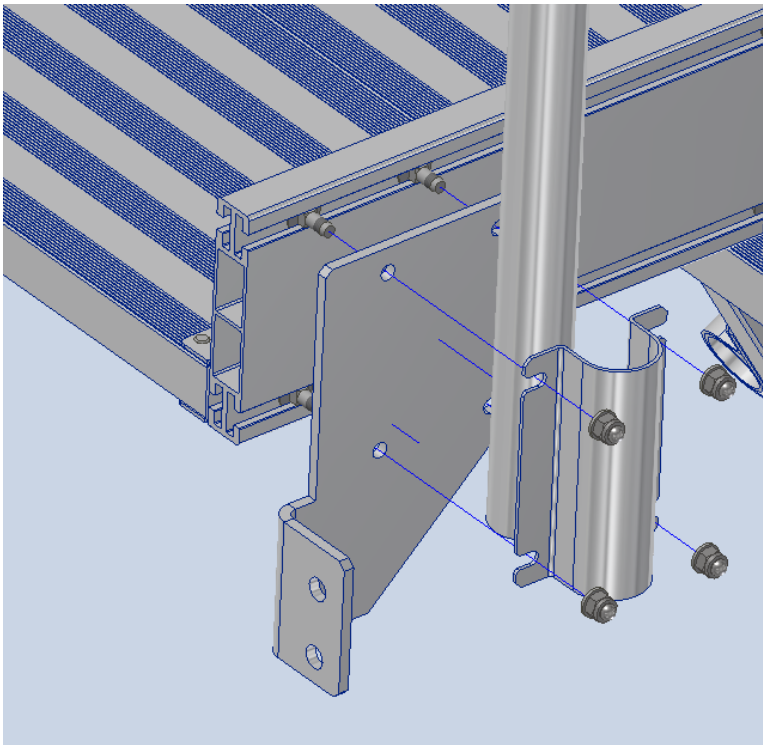


Note: These spacer plates are not required for bridging steps.

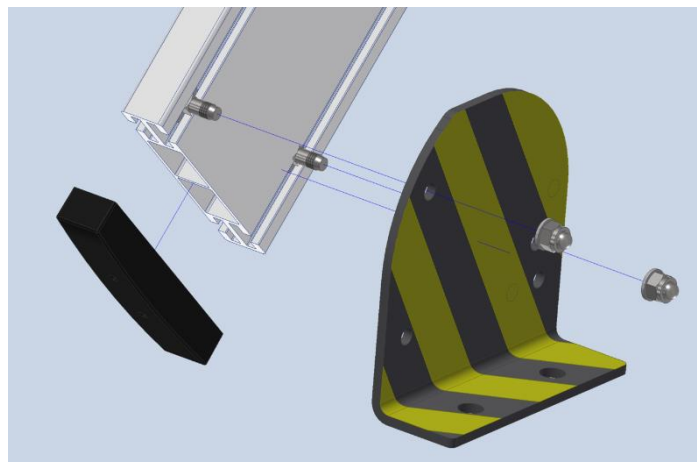
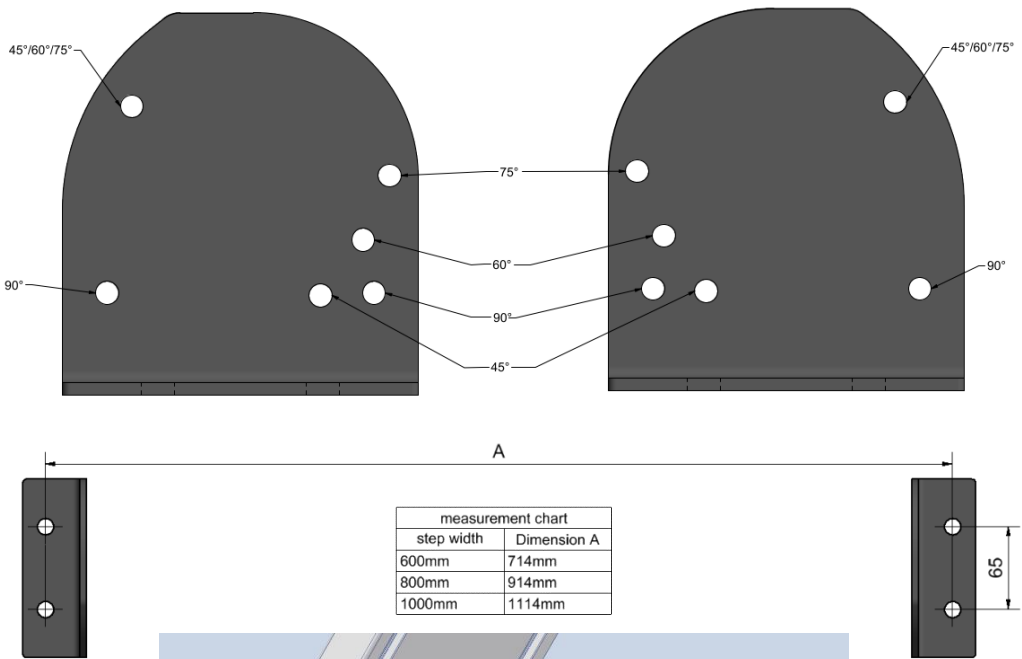
Fastening the elevation to the platform - M8 screw connection
Only for elevated and mobile versions



Fastening the wall connection to the platform - M8 screw connection
Only for wall mounting variant



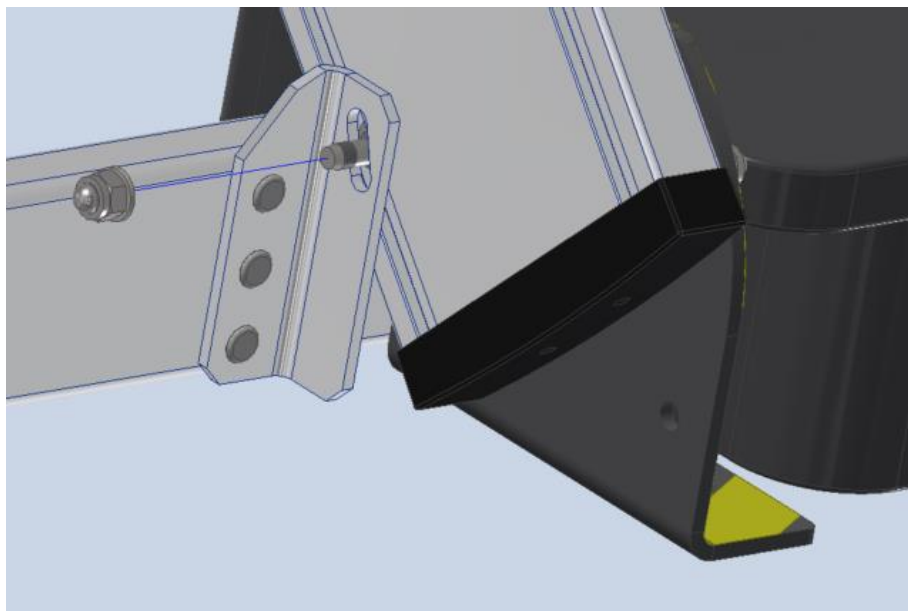
Fastening the foot bracket to the staircase - M8 screw connection
Only for the stationary version



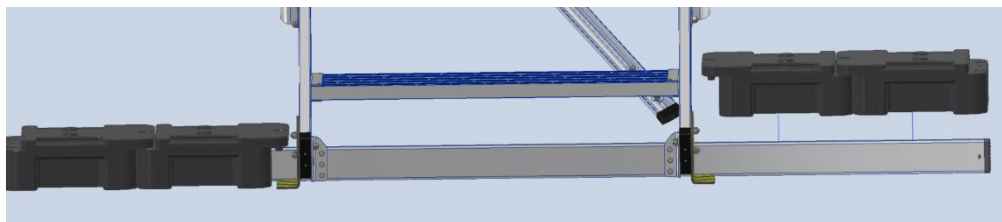
All stationary versions must be anchored to the floor using M10 bolt anchors.

Fastening the cross brace for ballast weights to the staircase - M8 screw connection

Only with ballast weight variant

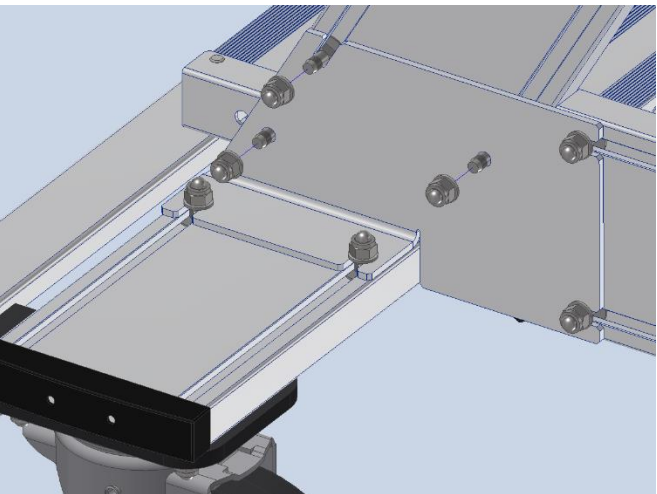


*Place **all** the ballast weights supplied on both sides, stacking them at the outer ends from the second layer onwards. See also the manufacturer's instructions/drawing.*

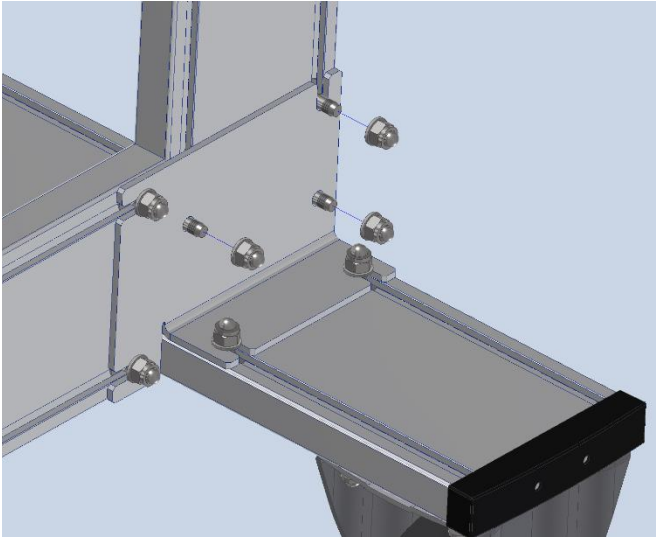


*Fastening the cross profiles (incl. rollers) to the stairs and to the elevation - M8 screw connection
Only with mobile variant*

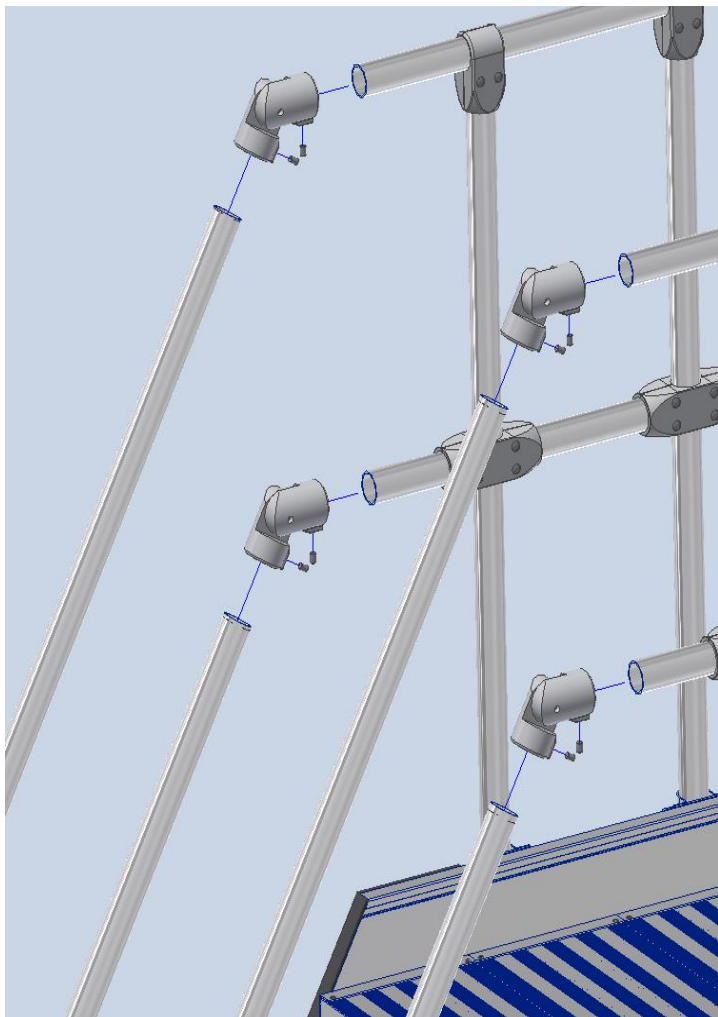
In front:



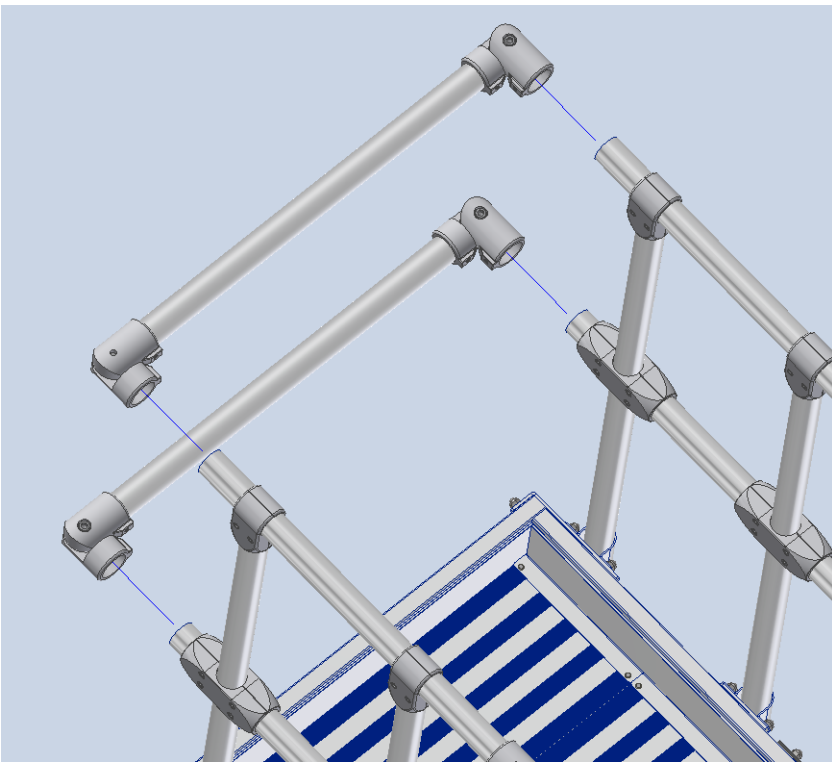
At the back:



Connection of stair railing and platform railing - M6 screw connection
All variants



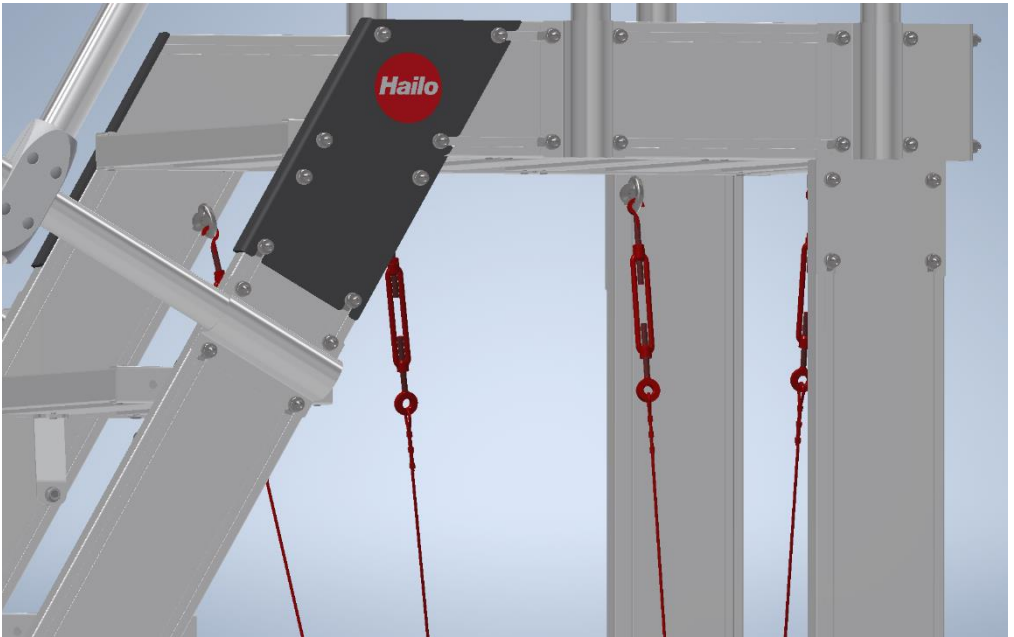
Extension of the platform railing - M6 screw connection
Only for elevated and mobile versions



Additional bracing if necessary - ropes with turnbuckle M6 (pre-assembled)

All variants

Hook the turnbuckles into the opposite eyelet at the top and tighten hand-tight, tighten the lock nut.

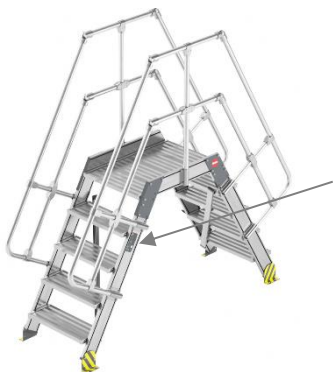


Functionality / operation of the central brake
Only for mobile variant

The two swivel castors can be locked simultaneously by means of the lower cross profile (foot operation).



6. labeling



HAILO Professional

| | | | |
|--------------------------------|---------------|----------------------------------|---------|
| Stufenbelastung: Step load | 150kg (1,5kN) | Baujahr: Year of construction | 2024 |
| Gesamtbelastung: Total load | 300kg (3,0kN) | Produktreihe: Product line | 600XXXX |

Nächste Prüfung
Next inspection

EN131 / EN 14122

ALUMINIUM-ÜBERSTIEG
Aluminium stage

Hailo-Werk Rudolf Loh GmbH & Co. KG · Damlerstraße 2 · 35708 Haiger, Germany

1211599 10-2024 (DE-GB)



HAILO Professional

| | | | |
|--------------------------------|---------------|----------------------------------|---------|
| Stufenbelastung: Step load | 150kg (1,5kN) | Baujahr: Year of construction | 2024 |
| Gesamtbelastung: Total load | 300kg (3,0kN) | Produktreihe: Product line | 600XXXX |

Nächste Prüfung
Next inspection

EN131 / EN 14122

ALUMINIUM-PLATTFORMTREPPE
Aluminium platform stair

Hailo-Werk Rudolf Loh GmbH & Co. KG · Damlerstraße 2 · 35708 Haiger, Germany

1211609 10-2024 (DE-GB)



7. examination

inspection intervall:

- Inspection intervals depend on the frequency of use, the stress during use and the frequency and severity of detected defects. Inspection intervals must be observed in accordance with the applicable national regulations. The responsibility lies with the operator.
- Recommendation:
Hailo recommends an inspection at least once a year.

inspection:

The product is to be inspected by an expert/authorized person to ensure that it is in proper condition and working order.

- A expert/authorized person is:
A person who, through their professional training, their professional activity, or separate training with the manufacturer, can be shown to have the necessary expertise to carry out the inspection.
- The inspection is carried out on the basis of the following inspection plan



The individual national operating and auditing regulations are to be followed.

Inspection schedule for the periodic inspection of aluminum bridging steps and platform stairs

The periodic inspections must be documented by the competent person in the following tables.

In the event of a claim, this Complete documentation must be provided. The manufacturer must be granted access at all times.

Result:



| | | |
|-----|----------------------------|--|
| 1. | Stair stringers / profiles | <i>Technical condition, damage, deformation, corrosion, cracks, burrs</i> |
| 2.1 | Steps | <i>Technical condition, damage, deformation, corrosion, cracks, burrs, connection of stringers / profiles / steps, slip resistance</i> |
| 2.2 | Screw connections | <i>Technical condition; strength, preload force, tightening torque</i> |
| 3.1 | Platform | <i>Technical condition, damage, deformation, corrosion, cracks, burrs, connection of stringers / profiles / steps, slip resistance</i> |
| 3.2 | Screw connections | <i>Technical condition; strength, preload force, tightening torque</i> |
| 4.1 | Handrails / railings | <i>Technical condition, damage, deformation, corrosion, cracks, burrs</i> |
| 4.2 | Screw connections | <i>Technical condition; strength, preload force, tightening torque</i> |
| 5.1 | Supports / struts | <i>Technical condition, damage, deformation, corrosion, cracks, burrs</i> |
| 5.2 | Screw connections | <i>Technical condition; strength, preload force, tightening torque</i> |
| 6. | Floor / wall anchoring | <i>Technical condition; strength, preload force, tightening torque</i> |
| 7. | Ballast weights | <i>Technical condition, damage, cracks, completeness</i> |
| 8. | Castors | <i>Technical condition, damage, function</i> |
| 9. | Central brake | <i>Technical condition, damage, function</i> |
| 10. | Own criterion | |
| 11. | Own criterion | |
| 12. | Released for further use | |



| Inspection 1 | | Inspection 2 | | Inspection 3 | | Inspection 4 | | Inspection 5 | | Inspection 6 | |
|--------------------------|--------------------------|--------------------------|--------------------------|--------------------------|--------------------------|--------------------------|--------------------------|--------------------------|--------------------------|--------------------------|--------------------------|
| / | | / | | / | | / | | / | | / | |
| Date (month/year) | | Date (month/year) | | Date (month/year) | | Date (month/year) | | Date (month/year) | | Date (month/year) | |
| OK | not OK | OK | not OK | OK | not OK | OK | not OK | OK | not OK | OK | not OK |
| <input type="checkbox"/> | <input type="checkbox"/> | <input type="checkbox"/> | <input type="checkbox"/> | <input type="checkbox"/> | <input type="checkbox"/> | <input type="checkbox"/> | <input type="checkbox"/> | <input type="checkbox"/> | <input type="checkbox"/> | <input type="checkbox"/> | <input type="checkbox"/> |
| <input type="checkbox"/> | <input type="checkbox"/> | <input type="checkbox"/> | <input type="checkbox"/> | <input type="checkbox"/> | <input type="checkbox"/> | <input type="checkbox"/> | <input type="checkbox"/> | <input type="checkbox"/> | <input type="checkbox"/> | <input type="checkbox"/> | <input type="checkbox"/> |
| <input type="checkbox"/> | <input type="checkbox"/> | <input type="checkbox"/> | <input type="checkbox"/> | <input type="checkbox"/> | <input type="checkbox"/> | <input type="checkbox"/> | <input type="checkbox"/> | <input type="checkbox"/> | <input type="checkbox"/> | <input type="checkbox"/> | <input type="checkbox"/> |
| <input type="checkbox"/> | <input type="checkbox"/> | <input type="checkbox"/> | <input type="checkbox"/> | <input type="checkbox"/> | <input type="checkbox"/> | <input type="checkbox"/> | <input type="checkbox"/> | <input type="checkbox"/> | <input type="checkbox"/> | <input type="checkbox"/> | <input type="checkbox"/> |
| <input type="checkbox"/> | <input type="checkbox"/> | <input type="checkbox"/> | <input type="checkbox"/> | <input type="checkbox"/> | <input type="checkbox"/> | <input type="checkbox"/> | <input type="checkbox"/> | <input type="checkbox"/> | <input type="checkbox"/> | <input type="checkbox"/> | <input type="checkbox"/> |
| <input type="checkbox"/> | <input type="checkbox"/> | <input type="checkbox"/> | <input type="checkbox"/> | <input type="checkbox"/> | <input type="checkbox"/> | <input type="checkbox"/> | <input type="checkbox"/> | <input type="checkbox"/> | <input type="checkbox"/> | <input type="checkbox"/> | <input type="checkbox"/> |
| <input type="checkbox"/> | <input type="checkbox"/> | <input type="checkbox"/> | <input type="checkbox"/> | <input type="checkbox"/> | <input type="checkbox"/> | <input type="checkbox"/> | <input type="checkbox"/> | <input type="checkbox"/> | <input type="checkbox"/> | <input type="checkbox"/> | <input type="checkbox"/> |
| <input type="checkbox"/> | <input type="checkbox"/> | <input type="checkbox"/> | <input type="checkbox"/> | <input type="checkbox"/> | <input type="checkbox"/> | <input type="checkbox"/> | <input type="checkbox"/> | <input type="checkbox"/> | <input type="checkbox"/> | <input type="checkbox"/> | <input type="checkbox"/> |
| <input type="checkbox"/> | <input type="checkbox"/> | <input type="checkbox"/> | <input type="checkbox"/> | <input type="checkbox"/> | <input type="checkbox"/> | <input type="checkbox"/> | <input type="checkbox"/> | <input type="checkbox"/> | <input type="checkbox"/> | <input type="checkbox"/> | <input type="checkbox"/> |
| <input type="checkbox"/> | <input type="checkbox"/> | <input type="checkbox"/> | <input type="checkbox"/> | <input type="checkbox"/> | <input type="checkbox"/> | <input type="checkbox"/> | <input type="checkbox"/> | <input type="checkbox"/> | <input type="checkbox"/> | <input type="checkbox"/> | <input type="checkbox"/> |
| <input type="checkbox"/> | <input type="checkbox"/> | <input type="checkbox"/> | <input type="checkbox"/> | <input type="checkbox"/> | <input type="checkbox"/> | <input type="checkbox"/> | <input type="checkbox"/> | <input type="checkbox"/> | <input type="checkbox"/> | <input type="checkbox"/> | <input type="checkbox"/> |
| <input type="checkbox"/> | <input type="checkbox"/> | <input type="checkbox"/> | <input type="checkbox"/> | <input type="checkbox"/> | <input type="checkbox"/> | <input type="checkbox"/> | <input type="checkbox"/> | <input type="checkbox"/> | <input type="checkbox"/> | <input type="checkbox"/> | <input type="checkbox"/> |
| <input type="checkbox"/> | <input type="checkbox"/> | <input type="checkbox"/> | <input type="checkbox"/> | <input type="checkbox"/> | <input type="checkbox"/> | <input type="checkbox"/> | <input type="checkbox"/> | <input type="checkbox"/> | <input type="checkbox"/> | <input type="checkbox"/> | <input type="checkbox"/> |
| <input type="checkbox"/> | <input type="checkbox"/> | <input type="checkbox"/> | <input type="checkbox"/> | <input type="checkbox"/> | <input type="checkbox"/> | <input type="checkbox"/> | <input type="checkbox"/> | <input type="checkbox"/> | <input type="checkbox"/> | <input type="checkbox"/> | <input type="checkbox"/> |
| <input type="checkbox"/> | <input type="checkbox"/> | <input type="checkbox"/> | <input type="checkbox"/> | <input type="checkbox"/> | <input type="checkbox"/> | <input type="checkbox"/> | <input type="checkbox"/> | <input type="checkbox"/> | <input type="checkbox"/> | <input type="checkbox"/> | <input type="checkbox"/> |
| <input type="checkbox"/> | <input type="checkbox"/> | <input type="checkbox"/> | <input type="checkbox"/> | <input type="checkbox"/> | <input type="checkbox"/> | <input type="checkbox"/> | <input type="checkbox"/> | <input type="checkbox"/> | <input type="checkbox"/> | <input type="checkbox"/> | <input type="checkbox"/> |
| <input type="checkbox"/> | <input type="checkbox"/> | <input type="checkbox"/> | <input type="checkbox"/> | <input type="checkbox"/> | <input type="checkbox"/> | <input type="checkbox"/> | <input type="checkbox"/> | <input type="checkbox"/> | <input type="checkbox"/> | <input type="checkbox"/> | <input type="checkbox"/> |
| <input type="checkbox"/> | <input type="checkbox"/> | <input type="checkbox"/> | <input type="checkbox"/> | <input type="checkbox"/> | <input type="checkbox"/> | <input type="checkbox"/> | <input type="checkbox"/> | <input type="checkbox"/> | <input type="checkbox"/> | <input type="checkbox"/> | <input type="checkbox"/> |
| <input type="checkbox"/> | <input type="checkbox"/> | <input type="checkbox"/> | <input type="checkbox"/> | <input type="checkbox"/> | <input type="checkbox"/> | <input type="checkbox"/> | <input type="checkbox"/> | <input type="checkbox"/> | <input type="checkbox"/> | <input type="checkbox"/> | <input type="checkbox"/> |
| YES | NO | YES | NO | YES | NO | YES | NO | YES | NO | YES | NO |

1184315 - (EN) Version: 10 / 2024 - Rev.03

*Hailo factory · Rudolf Loh GmbH & Co KG · Daimlerstraße 2 · 35708 Haiger, Germany
Tel: +49 (0) 2773 82-0 · Fax: +49 (0) 2773 82 1218 · www.hailo-professional.de · professional@hailo.de*