

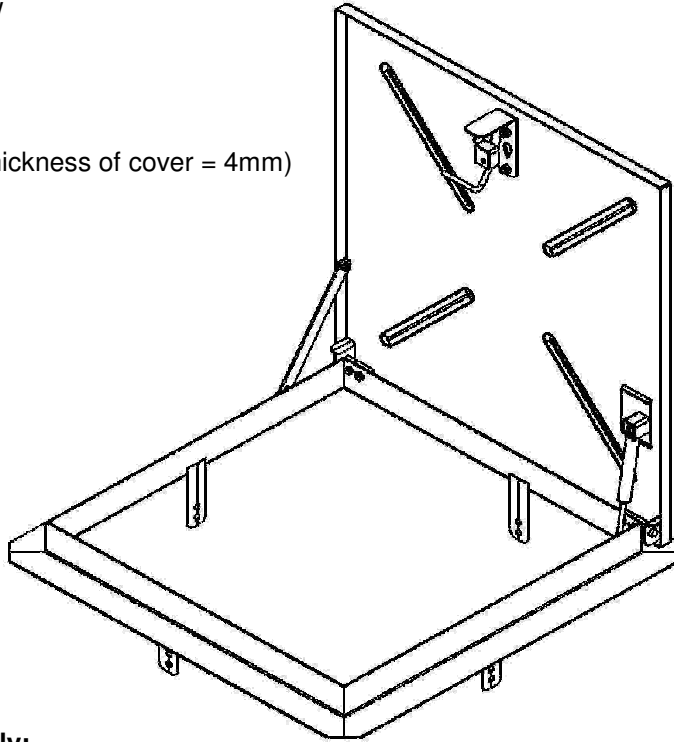
Hailo shaft cover types HS1 + 2

Stainless steel shaft cover

Square design, surface water proof, internal anchor plates, concealed hinges, self-locking latch, opening assisted by gas-pressurised spring, locking mechanism can be opened in an emergency from below

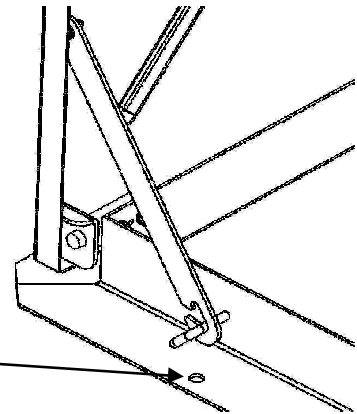
Type HS1 = normal

Type HS2 = reinforced (thickness of cover = 4mm)



Instructions for assembly:

- The shaft cover needs to be sealed by the customer, for example, using sealing strip between the frame and the cover.
- Hailo shaft covers types HS1 & 2 are secured to the structure, for example, using plastic wedge anchors and DIN 571 hexagonal bolts as well as DIN 125 washers from the interior through the anchor plates.
- To cement in, bend the plates downwards and use as masonry anchors
- The cover is also secured to the structure from above, on the left next to the latch.



Instructions for use:

- Before opening the cover, first remove the brass cap using the operator key.
- If required, the brass fastener insert and profile cylinder, which protects the shaft cover from unauthorised access, are to be removed at this point.
- The operator key is then inserted into the lock collar and turned 90° anti-clockwise.
By pulling gently at the operator key, the locking mechanism opens and the cover can now be opened.
- The latch which stops the cover from accidental closing and re-opening engages automatically during the opening procedure.
- Before closing the cover, ensure that the latch has been released and is slightly raised.
- The locking mechanism is automatic, i.e. the cover is locked again automatically when closed.
- Shaft covers which are supplied in a multi-section design as an option have a removable centre strut.
To remove the strut, remove the connecting screws between the frame and the centre strut.