

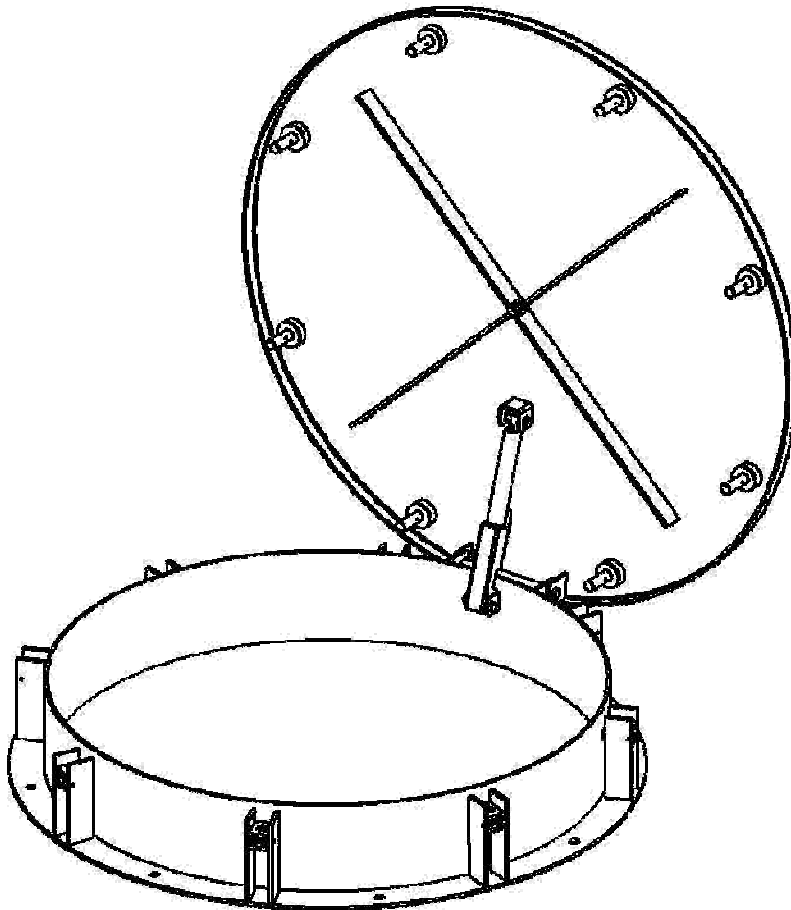
Hailo shaft cover type HS6

Stainless steel shaft cover

Circular design, overflow safe, external hinges, self-locking latch, opening assisted by gas-pressurised spring, secured all round with screws, for min. 1m column of water

Standard sizes:

- Ø 600mm
- Ø 700mm
- Ø 800mm
- Ø 1000mm
- Ø 1200mm



Instructions for assembly:

- The shaft cover needs to be sealed by the customer, for example, using sealing strip between frame and cover.
- Hailo shaft covers type HS5 are secured to the structure, for example, with plastic wedge anchors and DIN 571 hexagonal bolts as well as DIN 125 washers from above through the frame.

Instructions for use:

- Before opening the cover, first remove the screw fixings all around the cover using the operator key.
- The latch which stops the cover from accidentally closing engages automatically during the opening procedure.
- Before closing the cover, ensure that the latch has been released and is slightly raised.
- The cover locks in the opposite sequence to that described above