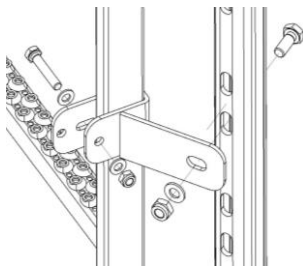


Instructions for assembly and use Hailo H50 fall arrest system

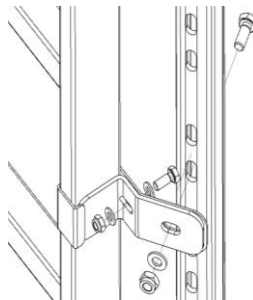
For fitting to shaft ladders - stile profile 40×20mm / 60×20mm - and to footholds - forms A + B - and directly to shaft walls

Fitting the H50 fall arrest track:

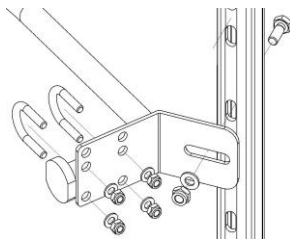
To stile 40×20



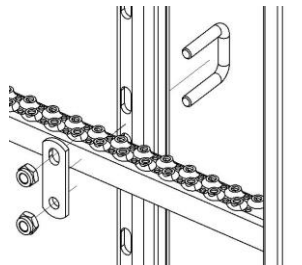
To stile 60×20
Plastic ladder



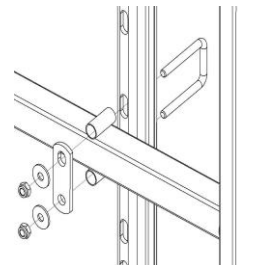
To foothold



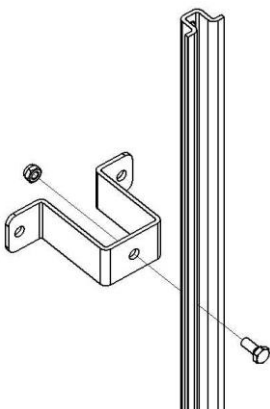
To rung 30x30
(Stile 40×20)



To rung 30x30
(Stile 60×20)



To shaft wall



Fitting information:

IMPORTANT: Risk of falling

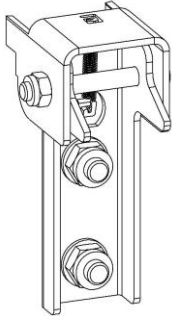
When fitting, use a fall arrest system which complies with the specifications of DIN EN 363.

At least two people are required for fitting the H50 fall arrest system. Fitters must not be secured to the system which is being installed. A fastening point is to be used which is permitted under DIN EN 795.

- Only use absolutely clean and undamaged parts. Particular attention is to be paid to ensuring that the running surface of the track is undamaged. Any damaged parts must be replaced with new parts.
- Tighten with a torque of at least 20Nm for all stainless steel M10 U-bolt connections and a torque of 30 Nm for all stainless steel M10 hexagonal screw connections.
- In general, intervals of up to 1680mm are permitted when attaching the fall arrest track to a Hailo vertical ladder (i.e. every sixth rung).
- For ladder systems supplied by other manufacturers or for foothold or pole climber systems, the track must be secured every 1120mm (i.e. every fourth rung).
- When the fall arrest track is secured directly to the shaft wall using wall brackets, these should be placed at intervals of no more than 1400mm. *(Recommended fixings for B25 concrete and upwards: wedge anchors HST-R M10x90/10)*
- The fall arrest track must be secured to the ladder in each case both at the top and the bottom. The max. distances between the fixings (see above) must be observed. All track joints must be connected using a track connector.

Instructions for assembly and use Hailo H50 fall arrest system

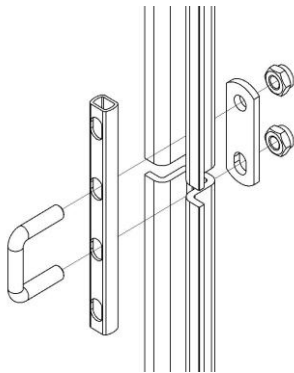
For fitting to shaft ladders - stile profile 40×20mm / 60×20mm - and to footholds - forms A + B - and directly to shaft walls



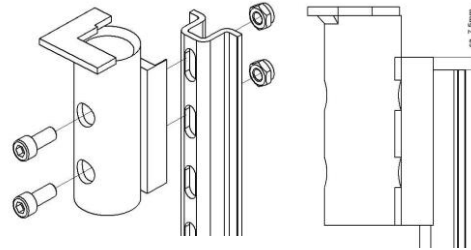
Fitting end-stop to H50 fall arrest system:

- The end-stop is fitted at the **bottom end** of the H50 fall arrest track between the last two rungs of the ladder **as illustrated** (i.e. with the cover flap facing upwards).
- At the **top end** of the H50 fall arrest track, the end-stop is fitted between the first two rungs of the ladder **the other way round** (i.e. with the cover flap facing down).

Fitting the joint connectors for the H50 fall arrest track:

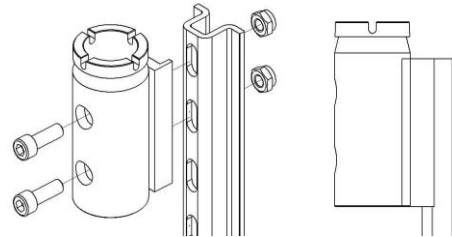


Fitting the sleeve to the H50 fall arrest track for the H50 standard entrance aid:



Please note: Push the sleeve right up to the top of the slot in the track.

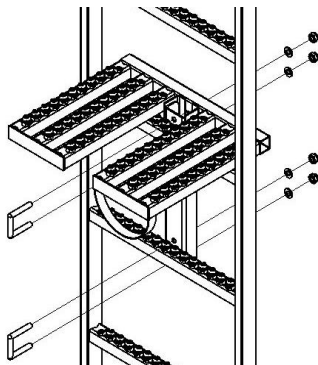
Fitting the sleeve to the H50 fall arrest track for the H50 standard entrance aid:



Please note: Fit the sleeve flush with the track.

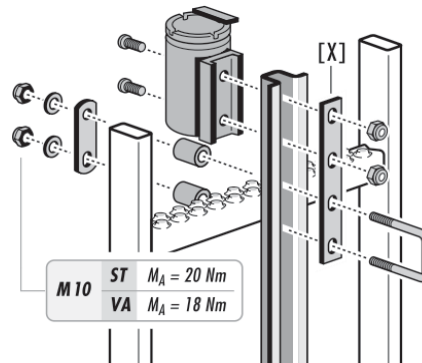
Fitting a rest platform onto a rung:

Please note: A rest platform must be fitted to ladders over 10m long and at every subsequent 10m interval.



Fitting of the reinforcement rail at H50 system:

A rail reinforcement [X] must always be installed at the upper end of the route.



Installation position of the reinforcement rail:

1. Positioning of the reinforcement rail on the fall arrest rail **AT THE TOP.**
2. Positioning of the reinforcement rail on the fall arrest rail together with the coupling of the entrance aid.