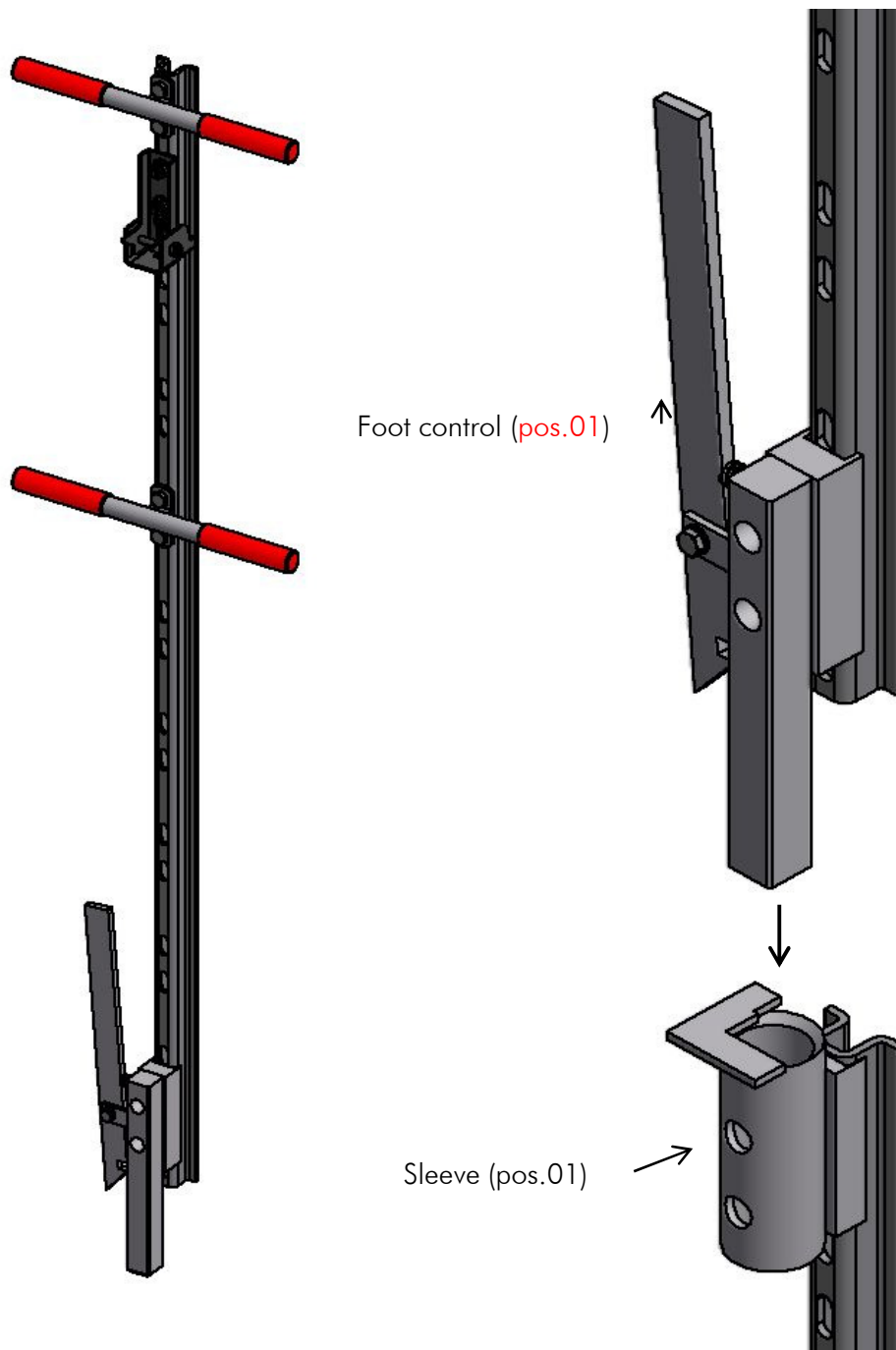


# Instructions for assembly and use

## Hailo H50 entrance aid - Standard type

Hailo



### Instructions for assembly and use:

The H50 Standard type entrance aid is pushed from above into the sleeve (pos.01) which is screwed to the fall arrest track. This locks into position and can be released and removed by activating the foot control (pos.02) on the entrance aid.

**Important:** When fixing the entrance aid to the sleeve and the runner to the fall arrest track, make sure you are standing in a stable position.