

(1) EU-Type Examination Certificate

according to Module B Paragraph 6.1 of PPE Regulation (EU) 2016/425

- (2) Regulation of the European Parliament and of the Council of 9 March 2016 relating to personal protective equipment (PPE) - Regulation (EU) 2016/425
- (3) No. of EU-Type Examination Certificate: **ZP/B193/18**
- (4) Product: **Guided type fall arrester including a rigid anchor line**
Type: H-8
- (5) Manufacturer: **Hailo Werk Rudolf Loh GmbH & Co. KG**
- (6) Address: **Daimlerstraße 8, 35708 Haiger, Germany**
- (7) Risk category: **III**
- (8) The design and construction of this personal protective equipment and any acceptable variation thereto are specified in the appendix to this EU type-examination certificate.
- (9) The certification body of DEKRA EXAM GmbH, Notified Body No. 0158 according to Chapter V of Regulation (EU) 2016/425 of 9 March 2016, certifies that this personal protective equipment has been found to comply with the essential Health and Safety Requirements given in Annex II to the Regulation. The evaluation results are recorded in report PB 18-198. Other possibly applicable Union legislations applicable to the specified personal protective equipment have not been taken into account in this EU-type examination certificate.
- (10) The essential Health and Safety Requirements are assured in consideration of
DIN EN 353-1:2018
- (11) This EU type-examination certificate relates only to the design, examination and tests of the specified personal protective equipment in accordance to Regulation (EU) 2016/425. For category III personal protective equipment, this EU type-examination certificate may only be used in conjunction with one of the conformity assessment procedures referred to Article 19 (c).
- (12) When applying the CE Marking according to Article 16 and 17 of Regulation (EU) 2016/425 to the products that conform to the types examined, the client is obliged to add, in accordance with the attached pattern, the identification number of the Notified Body engaged in the conformity assessment according to Module C2 or D. Furthermore, the manufacturer is obliged to issue an EU declaration of conformity in accordance with Article 15 of Regulation (EU) 2016/425 and to enclose it with the personal protective equipment, or to indicate the Internet address in the manual and in the instructions in Annex II, point 1.4., at which the EU declaration of conformity can be accessed.
- (13) This EU-Type Examination Certificate is valid until 2023-09-13

DEKRA EXAM GmbH
Bochum, 2018-09-14

Signed: Wiegand
Certification body

Signed: Mühlenbruch
Special services unit

We confirm the correctness of the translation from the German original.
In the case of arbitration only the German wording shall be valid and binding.


Certification body


Special services unit

TRANSLATION

- (14) Appendix to
- (15) **EU-Type Examination Certificate
ZP/B193/18**
- (16) 16.1 Subject and type
Guided type fall arrester including a rigid anchor line
Type: H-8

16.2 Description

The guided type fall arrester including a rigid anchor line consists of the guided type fall arrester type: Hailo SSL-8-R1 (fig. 2) as well as the rigid anchor line and serves as protection against falls from a height of maximum 3 persons. As rigid anchor line either a wire rope \varnothing 8 mm, construction 6x19 made of corrosion resistant steel or made of galvanized steel is used. The rigid anchor line can be inclined with maximum 15° in direction in front of the user.

The guided type fall arrester is equipped with an energy-dissipating element in the form of an absorber type: BFD 50-136.

One end of the absorber is provided with a curved shackle which is screwed secured with the guided type fall arrester. The other end is equipped with a connector which is intended for securing the attachment point of the full body harness.

The maximum rated load is 136 kg. The minimum rated load is 50 kg.

The guided type fall arrester is equipped with a mechanism which allows a removal and assembly on every position. The placing of the guided type fall arrester on the rigid anchor line in the intended direction is shown by a symbol.

Additionally, there is a lock integrated in the opening mechanism that prevents the placement of the device in the wrong direction.

The installation of the rigid anchor line is either done by means of rope suspensions on ladders (Fig. 3 and 4) with sufficient strength or directly to the structure (Fig. 5 and 6).

The rigid anchor line is supported on the running length by means of rope guides (Fig. 7). At the lower end of the rigid anchor line there is a rope tensioner which enables an initial tension of the anchor line with about 800 N (Fig. 8).

The upper and the lower end of the anchor line cannot be overridden unintentionally, because they are closed by the end connections of the anchor line.

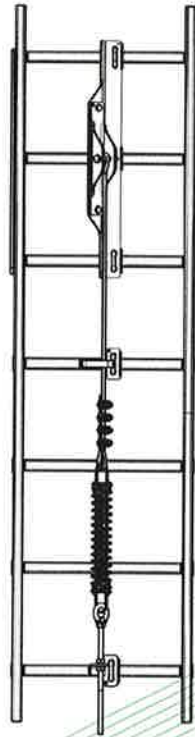


Fig. 1: Guided type fall arrester including a rigid anchor line, type: H-8



Fig. 2: Guided type fall arrester, type: SSL-8-R1



Fig. 3: Rope suspension top (Ladder)

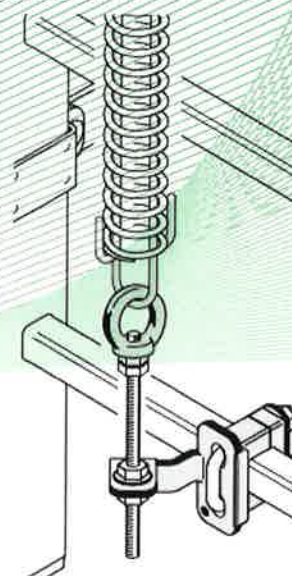


Fig. 4: Rope suspension bottom (Ladder)

TRANSLATION

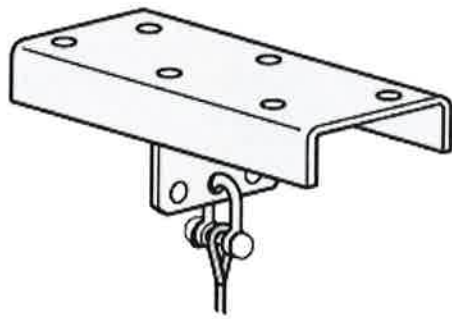


Fig. 5: Rope suspension top (Structure)

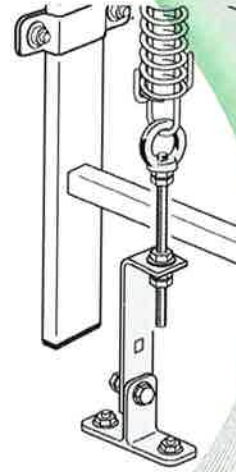


Fig. 6: Rope suspension bottom (Structure)

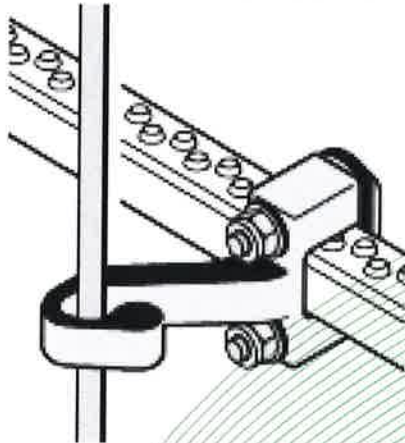


Fig. 7: Rope guide



Fig. 8: Rope tensioner

(17) Test Report

PB 18-198, 2018-09-14