

# PRODUCT SPECIFICATION SHEET



## Hailo AS Euro Cargo S 450 19/19

**3610471**

GTIN: 4007126361776

For cabinets with front-mounted door of  
450 mm width



SLIDE



2 BUCKET

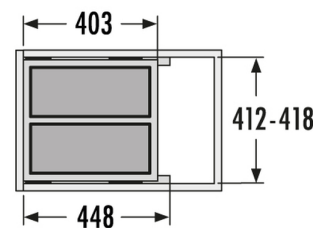
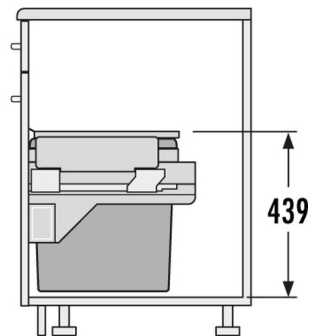
**38 L**

TOTAL

Suitable for cabinet width (cm)  
45

### Specifications

Type of installation	Slide	✓
Cabinet-width min. (cm)		45
Cabinet-width max. (cm)		45
Suitable for cabinet width (cm)		45
available Cabinet-depth min. (mm)		450
Sidewall mounted		✓
Slides	covered, dampened slides with self-closing device with fully synchronized over-travel	
Side-wall thickness (mm)		16 - 19 (self-adjusting)
Product dimensions (WxDxH) (mm)		412 - 418 x 403 x 439
Packing dimensions (WxDxH) (mm)		510 x 260 x 420
System-depth (mm)		448
Number of bins		2
Lid		Sheet metal system Lid
Capacity (l)		2 x 19
Total volume (l)		38



# PRODUCT SPECIFICATION SHEET

---

Color metal parts	silver-coloured
-------------------	-----------------

Weight incl. packing (kg)	10,8
---------------------------	------