

PRODUCT SPECIFICATION SHEET



Hailo AS Cargo Soft short 450 14/14

3610481

GTIN: 4007126362544

For cabinets with front-mounted door of
450 mm width



SLIDE



2 BUCKET

28 L

TOTAL

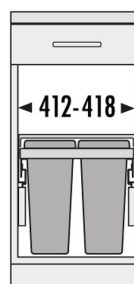
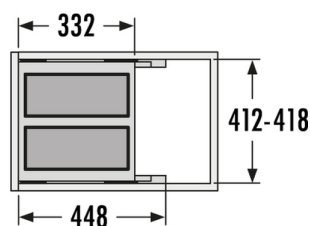
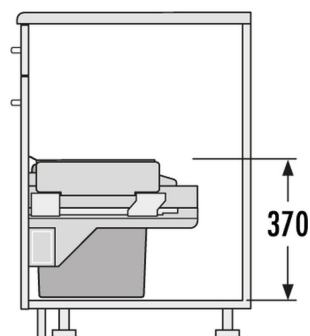
Suitable for cabinet width (cm)

45

Extra-short waste-recycling-systems for fully equipped sink-cabinets.

Specifications

Type of installation	Slide	✓
Cabinet-width min. (cm)		45
Cabinet-width max. (cm)		45
Suitable for cabinet width (cm)		45
available Cabinet-depth min. (mm)		450
Sidewall mounted		✓
Slides	covered, dampened slides with self-closing device	
Side-wall thickness (mm)	16 - 19 (self-adjusting)	
Product dimensions (WxDxH) (mm)	412 - 418 x 332 x 370	
Packing dimensions (WxDxH) (mm)	510 x 260 x 420	
System-depth (mm)	448	
Number of bins	2	
Lid	Sheet metal system Lid	
Capacity (l)	2 x 14	



PRODUCT SPECIFICATION SHEET

Total volume (l)	28
Color metal parts	silver-coloured
Weight incl. packing (kg)	11