



HAILO AS Big Box 15 stainless steel/white

3715191

GTIN: 4007126371546

For hinged door cabinets from 400 mm width.



SWING



1 BUCKET

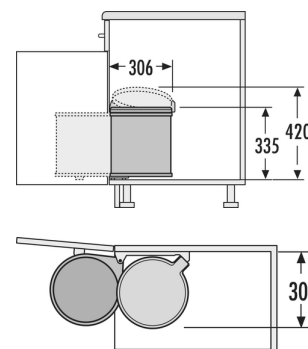
15 L

TOTAL

Suitable for cabinet width (cm)

40, 45, 50, 60, 80, 90

- Attention! Not suitable in combination with dampened door hinges
- May be installed on left or on right sidewall



Specifications

| | | |
|-----------------------------------|-------|-------------------------------------|
| Type of installation | Swing | ✓ |
| Cabinet-width min. (cm) | | 40 |
| Cabinet-width max. (cm) | | 90 |
| Suitable for cabinet width (cm) | | 40, 45, 50, 60, 80, 90 |
| available Cabinet-depth min. (mm) | | 306 |
| Sidewall mounted | | ✓ |
| Product dimensions (WxDxH) (mm) | | 306 x 306 x 335 |
| Packing dimensions (WxDxH) (mm) | | 298 x 298 x 363 |
| Number of bins | | 1 |
| Lid | | Automatic spring-loaded, lifted lid |
| Total volume (l) | | 15 |
| Color metal parts | | stainless steel |
| Color plastic parts | | white |



Weight incl. packing (kg)

2,5
