



HAILO TR Swing 50.3/29

3644531

GTIN: 4007126364463

For hinged door cabinets from 500 mm width



SWING



3 BUCKET

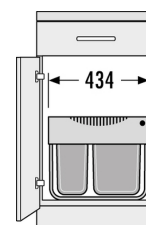
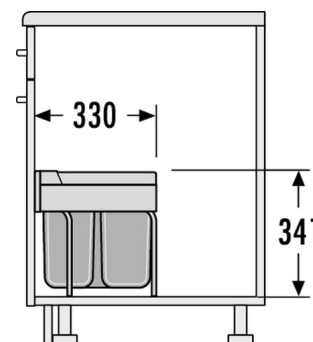
29 L

TOTAL

- Practical storage area integrated in the lid

Specifications

Type of installation	Swing	✓
Cabinet-width min. (cm)	50	
Cabinet-width max. (cm)	60	
available Cabinet-depth min. (mm)	330	
Slides	Full-extension (ball-bearing telescopic slides)	
Bottom-mounted		✓
Product dimensions (WxDxH) (mm)	434 x 330 x 341	
Packing dimensions (WxDxH) (mm)	490 x 365 x 365	
Number of bins	3	
Lid	Lid for 8,5 l	



PRODUCT SPECIFICATION SHEET



Capacity (l)	1 x 12 + 2 x 8,5
Total volume (l)	29
Color metal parts	silver-grey
Color plastic parts	dark-grey
Weight incl. packing (kg)	5,0