

Shaft wall mounting with guide bushing

9699181

GTIN: 4007126046031

EN 14396 requires that access aids (holding devices) are installed in shafts. Projection at least 1 m above the surface. The shaft must have a minimum depth of 1.60 m, since the entry aid can not be completely sunk!

Material

Stainless steel 1.4301 / AISI 304

Square guide bushing

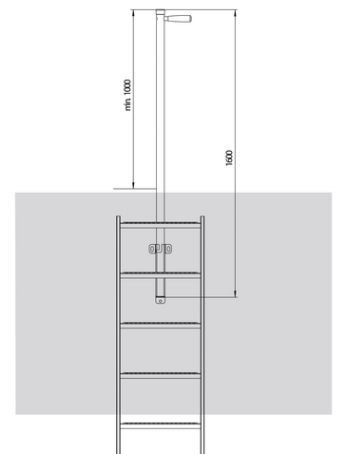
44x44mm



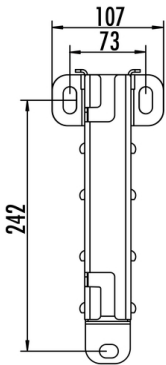
- Lowerable, consisting of guide bushing and holding rod with handle
- Cage guide at the sleeve for easy locking of the support rod

Specifications

lowerable	✓
For mounting on the shaft wall	✓
Material	Stainless steel 1.4301 / AISI 304
Square guide bushing	44x44mm



PRODUCT SPECIFICATION SHEET



PRODUCT SPECIFICATION SHEET
