



Shaft ladder LW 300mm

9635071

GTIN: 4007126005434

Certified as compliant with current European directives

Material

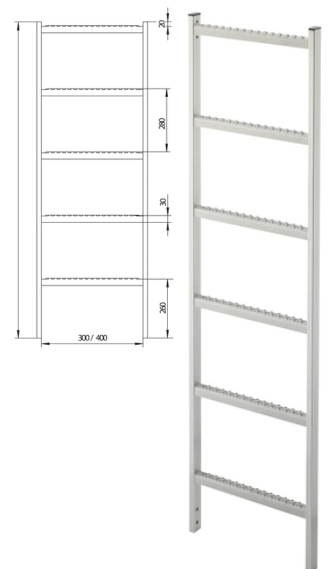
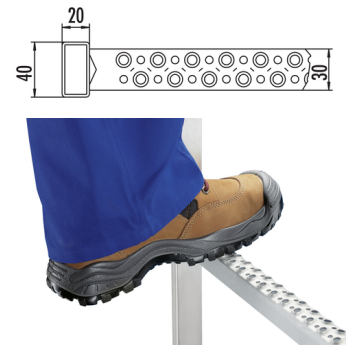
Stainless steel 1.4301 / AISI 304

Length in m | Number of rungs

1,96 m | 7 Rungs



- Hailo shaft ladders are non-corroding and have easy-grip rail profiles. The perforated profile ensures non-slip, foot-sure rungs.
 - Wall brackets: 1 pair of wall brackets at least every 1.96 m
 - Other lengths can be achieved by combining the basic ladders according to the depth of the structure
 - Shorter ladders, special lengths and widths and special profiles available on request
- Material: Stainless steel 1.4301 / ASTM 304
 - LW 300mm
 - Ladder length: 1,96m
 - Rungs: 7
 - Rail: square profile 40x20mm
 - Rungs: perforated U-profile 30x30mm



Specifications

Width in mm	300
Rung spacing 280mm	✓
Number of rungs	7
Length in m	1,96

PRODUCT SPECIFICATION SHEET



Material	Stainless steel 1.4301 / AISI 304
----------	--------------------------------------

Length in m Number of rungs	1,96 m 7 Rungs
-------------------------------	------------------
