



Shaft ladder LW 300mm

9633101

GTIN: 4007126032751

Certified as compliant with current European directives

Material

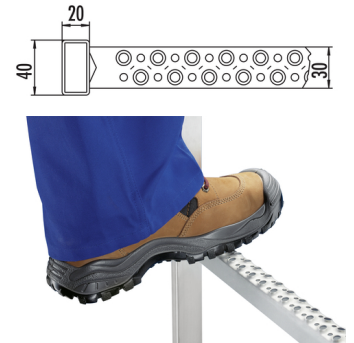
Stainless steel 1.4571 / AISI 316 ti

Length in m | Number of rungs

2,80 m | 10 Rungs



- Hailo shaft ladders are non-corroding and have easy-grip rail profiles. The perforated profile ensures non-slip, foot-sure rungs.
 - Wall brackets: 1 pair of wall brackets at least every 1.96 m
 - Other lengths can be achieved by combining the basic ladders according to the depth of the structure
 - Shorter ladders, special lengths and widths and special profiles available on request
- Rail: square profile 40x20mm
 - Rungs: perforated U-profile 30x30mm



Specifications

Width in mm	300
Rung spacing 280mm	✓
Number of rungs	10
Length in m	2,80
Material	Stainless steel 1.4571 / AISI 316 ti
Length in m Number of rungs	2,80 m 10 Rungs