



## HS9 in aluminium AlMg3

**9558601**

GTIN: 4007126047090

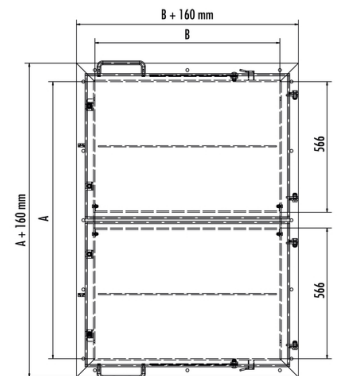
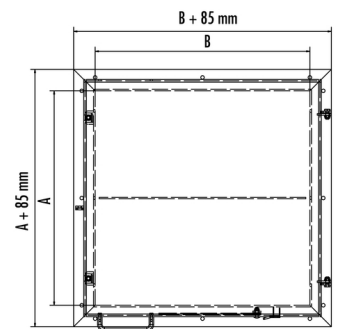
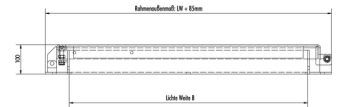
The cover is out of 4 mm chequer or raised pattern safety plate with the load class 15 kN (EN 124) The frame has an angle iron with perimeter frost-resistant and weatherproof seal in cover. It's raised from ground with external hinges, gas-pressurised spring, self-aligning positioning mechanism. Other sizes on request.

Length x width in mm  
600x600

- rectangular design
- safe to walk on
- surface water proof
- Load class A 15kN
- Material: Stainless steel 1.4301 / ASTM 304

At additional cost:

- Lock for securing / hook key
- Material: 1.4571/ASTM 316 ti
- Safety grille
- Safety rail
- opening assisted by gas-pressurised spring



### Specifications

Material	Aluminium AlMg3
Plate thickness	4
Thightness	surface water proof
raised from ground	✓
rectangular	✓

# PRODUCT SPECIFICATION SHEET

---

accessible



Length x width in mm

600x600

Version

Swivel fastener, prepared for padlock

