



HS12-R in stainless steel  
1.4301 / AISI 304 load class A  
- EN124

**9549611**

GTIN: 4007126046819

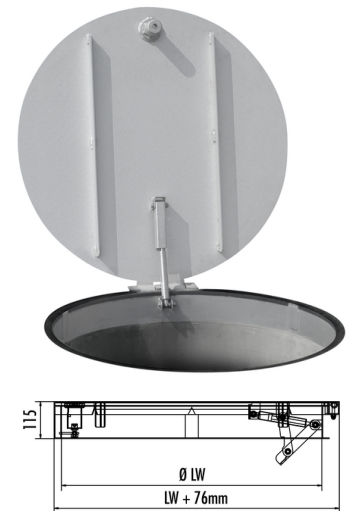
The cover has a 4 mm thickness chequer or raised pattern safety plate. It is also flush with ground with concealed hinges and self-aligning positioning mechanism. Frame: The frame has an angle iron with frost-resistant and weatherproof perimeter seal. With deep set screw plugs covered by three-sided brass bolts it can be locked. Other materials, e.g. galvanized steel or stainless steel 1.4571/ASTM 316 ti on request

Width in mm  
600 mm

- circular design
- safe to walk on
- surface water proof
- load class A 15kN (EN 124)
- stainless steel 1.4301/ASTM 304

**Specifications**

Material	Stainless steel 1.4301 / AISI 304
Plate thickness	3
Tightness	surface water proof
Load class	A 15 kN - EN124
flush with ground	✓
circular	✓
accessible	✓



# PRODUCT SPECIFICATION SHEET

---

Width in mm

600 mm

---

