

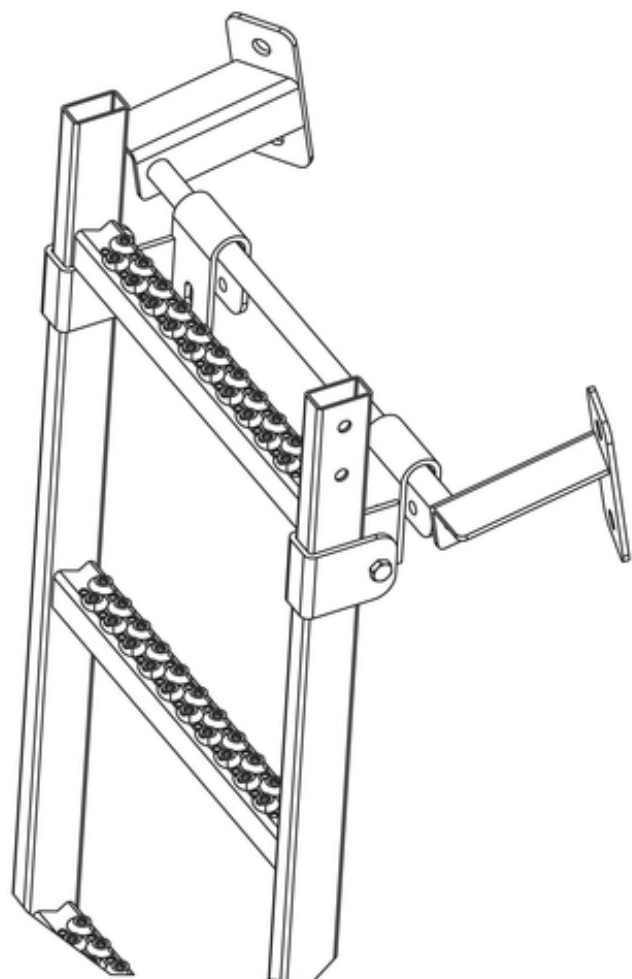
Ladder hooks

9694091

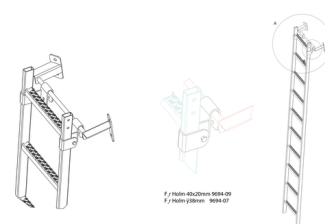
GTIN: 4007126034519

For hanging a ladder on a suspension device provided for this purpose

Rail dimension
40 x 20 mm



- incl. rail enclosure
- for square rail profil 40x20mm



Specifications

Pairs	✓
Width in mm	300 - 400
Material	Stainless steel 1.4301 / AISI 304
Rail dimension	40 x 20 mm