

Guard rail

99999

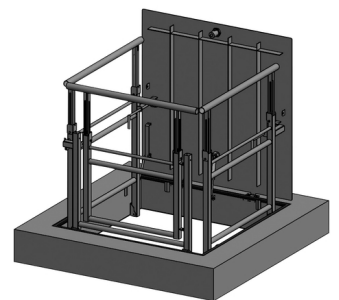
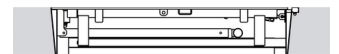
GTIN: 4007126

Optimal protection against falling into shafts with the cover of the manhole cover open are integrated railings. The handrail parts below the cover and are folded up as required. The balustrades are connected to each other and to the cover so that a stable protection of the shaft is created. It can be provided at the sides and front doors as access into the shaft. With small cover dimensions, the required height of 1.1m above the entrance level can be achieved by means of rail sections, which are additionally pulled out after folding upwards. Please ask for the feasibility in detail, as the minimum dimensions of the opening vary depending on the design of the cover.

Height in mm

1100

- Stainless steel 1.4301/ASTM 304 or 1.4571/ASTM 316 ti
- Height of rail: 1.1 m above the raised cover
- Designed in accordance with DIN EN ISO 14122-3
- Designed for use with all shaft covers that fit flush to the ground (HS 8 and 12), clearance of 1000 x 1000 mm upwards, as a built-in, fold-out and extendable safety rail



Specifications

Material	Stainless steel 1.4301 / 1.4571
----------	---------------------------------

PRODUCT SPECIFICATION SHEET

Height in mm

1100

