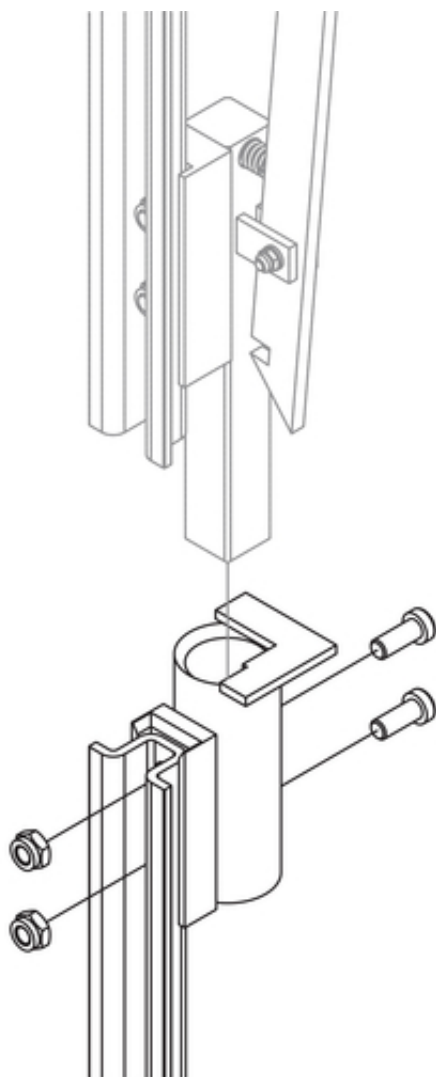


## Coupling piece H50 standard

**9611021**

GTIN: 4007126015068

The coupling piece for mounting a H50 entry aid standard and is mounted at the upper end of the climbing protection rail.



- easy construction
- quick attachment of the appropriate access aid

### Specifications

Material	Stainless steel 1.4571 / AISI 316ti
Weight (KG)	1,20