



Ladder external width 490mm

9647201

GTIN: 4007126011510

Application as fixed vertical ladders for buildings and machinery, suitable for indoor and outdoor use. Some of the images show accessories that are subject to an additional charge

Material

Steel 1.0037 / ASTM A36, galvanised

Length in m | Number of rungs

5,60 m | 20 Rungs



- Single-flight according to the basic requirements of DIN 18799
- Resistant to corrosion in neutral and slightly acidic environments
- Sturdy, easy-grip rail profiles
- Extendable using ladder connectors
- Easy to install
- Straight mounting surface required
- Fall arresting system / safety cage required: for fixed ladders on buildings and on machinery from a climbing height of 3000 mm

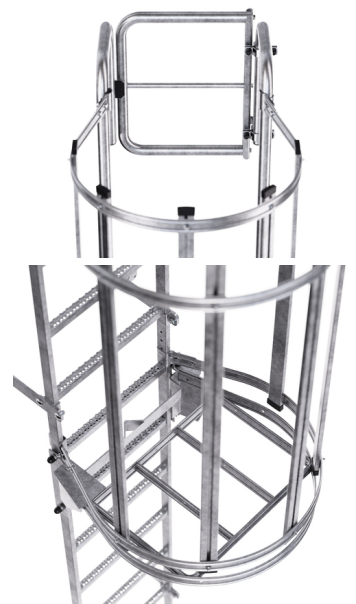
Scope of delivery:

Ladder sections, ladder connectors, ladder caps, wall brackets 185 mm, exit rail (AHB-K), exit extension, safety cage rail, rear safety cage vertical bars, bar connectors, caps, max. length for shipment 4200 mm, multi-section over 4200 mm

- Ladder sections can be shortened without risk of corrosion

Specifications

Ladder external width in mm 490



PRODUCT SPECIFICATION SHEET



Rung spacing 280mm	✓
Material	Steel 1.0037 / ASTM A36, galvanised
Length in m	5,60
safety cage basket Length in m	4,48
Number of rungs	20
Weight (KG)	97,0
Rail dimension	Square profile 40x20mm
Rung dimension	perforated U-profile design 30 x 30 mm
Length in m Number of rungs	5,60 m 20 Rungs
Width in mm	450

