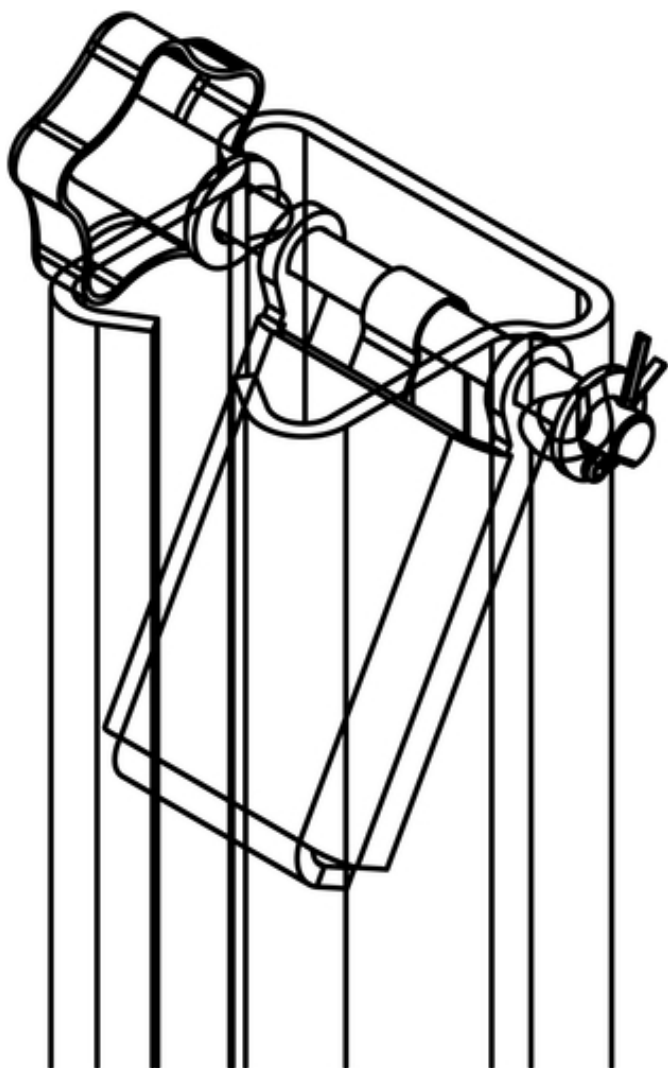


Detachable lock

9603021

GTIN: 4007126048202

By installing the releasable lock, it is ensured that the rotor can not "drop" at the end of the rail. Thus, a safe climbing is ensured.



- easy construction
- Runner is stopped at the end of the track

Specifications

Material

Stainless steel 1.4571 /
AISI 316ti

