



Railing element Installation from above

6064701

GTIN: 4007126010025

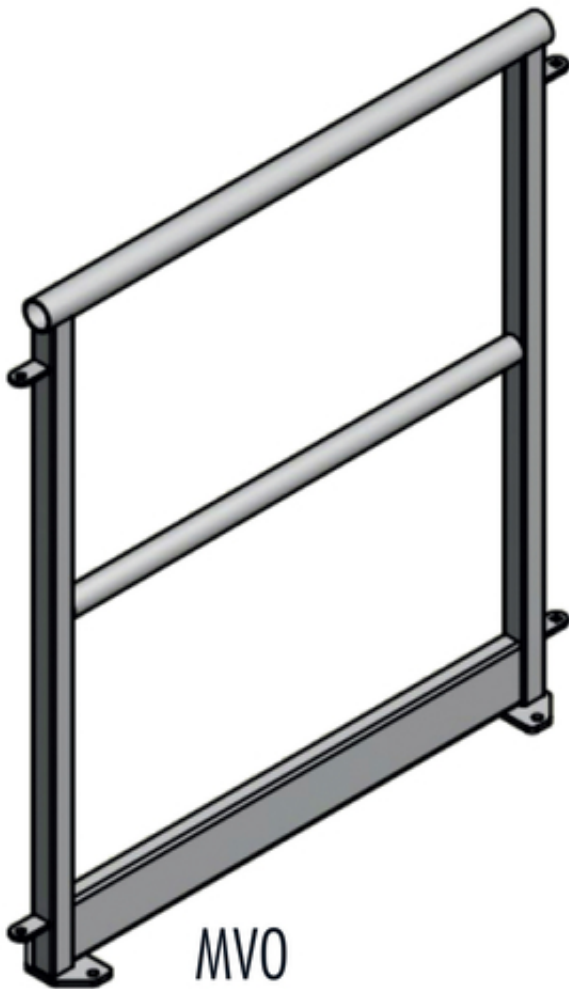
Hailo's system railing provides tailor-made solutions for standard fall arrest protection in buildings and machinery.

Material

Stainless steel 1.4571 / AISI 316ti

Width (in mm)

600



MVO

- Modules can be mounted at any angle
- Mounting on the ground by mounting flange
- Various materials covers most of the need
- 5 standard widths

Specifications

Mounting from above	✓
Material	Stainless steel 1.4571 / AISI 316ti
Width (in mm)	600
Height in mm	1100

