

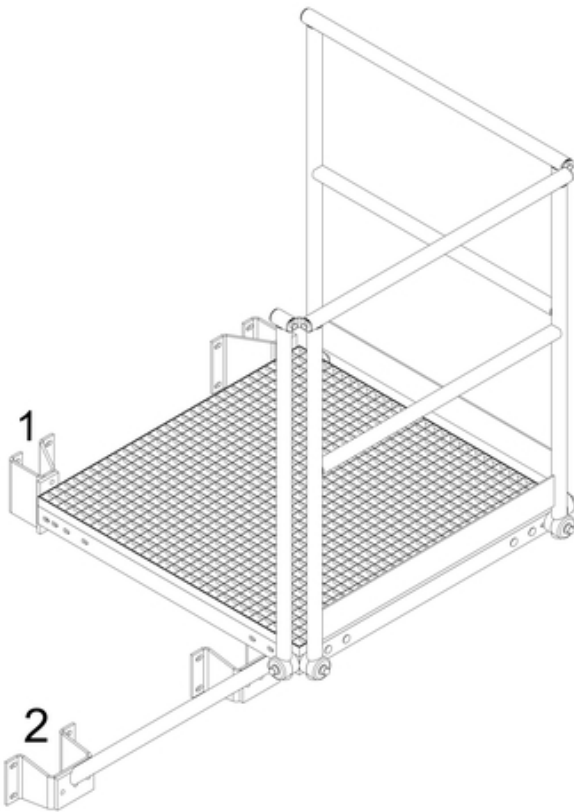
## Wall mount substructures

**6068191**

GTIN: 4007126031532

The wall support substructures are used to bridge a façade or façade To compensate for an enormous roof overhang. Fixing to a steel / concrete wall.

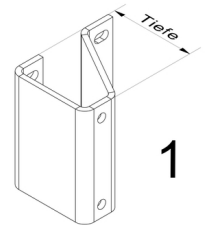
Distance mounting olates  
250



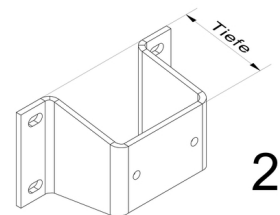
- Material: stainless steel 1.4301 stained and passivated
- Including thermal adhesive tape
- Length: 250mm
- for base platform

### Specifications

Material	Stainless steel 1.4301 / AISI 304
Distance mounting olates	250
Version	Base platform



1



2