



Attica crossing for rail 72x25mm

6015501

GTIN: 4007126601513

The crossing serves to bridge the attic. Even in the case of a blindness of the Attica, the transition to protection. The passage width must be at least 500mm according to the standard, the length of the transfer is variable.

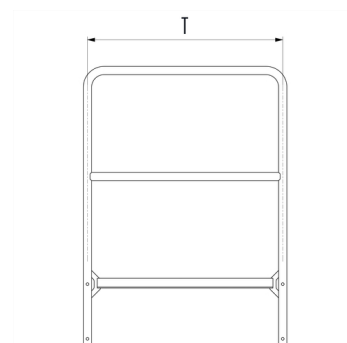
Material
hot galvanised steel 1.0037 / ASTM A36

Depth in mm
500

- Bridging the attica
- Blinding the attica
- LW: 500mm

Specifications

Ladder rail 72x25mm	✓
Width (in mm)	500
Slip resistance	R11
Material	hot galvanised steel 1.0037 / ASTM A36
Depth in mm	500



PRODUCT SPECIFICATION SHEET

