



## Rear safety guard for rail 40x20mm

**6005811**

GTIN: 4007126604545

The safety cage is fastened to the ladder rails and the exit rails at a maximum distance of 1,400 mm. The safety guard is also available as a ¾-rail – this is required with a side exit or a crossing unit. The entry to the safety cage must be between 2,200mm and 3,000mm in compliance with standards 14122, 18799 and 14094. The distance between the top of the safety cage and the exit level must be at least 1,000mm.

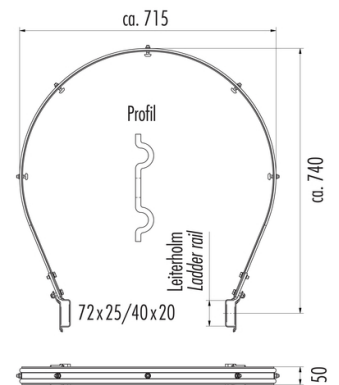
### Material

hot galvanised steel 1.0037 / ASTM A36

### Version | Rail dimension

1 bracket | 40x20 mm

- System components for the highest safety requirements
- In aluminum, stainless steel and galvanized steel
- High quality
- Tested according to the most stringent standards and safety regulations



### Specifications

Ladder rail 40x20mm	✓
Material	hot galvanised steel 1.0037 / ASTM A36
Rail dimension	40x20 mm
Version	1 bracket
Version   Rail dimension	1 bracket   40x20 mm