



## Rear safety guard for rail 72x25mm

**6005801**

GTIN: 4007126604538

The safety cage is fastened to the ladder rails and the exit rails at a maximum distance of 1,400 mm. The safety guard is also available as a ¾-rail – this is required with a side exit or a crossing unit. The entry to the safety cage must be between 2,200mm and 3,000mm in compliance with standards 14122, 18799 and 14094. The distance between the top of the safety cage and the exit level must be at least 1,000mm.

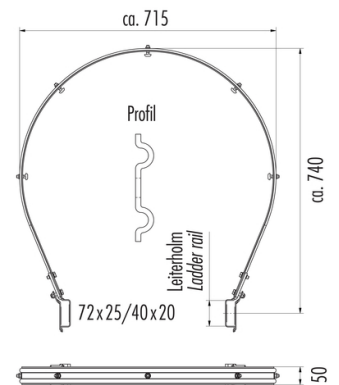
### Material

Aluminium AlMgSi 0,3

### Version | Rail dimension

1 bracket | 72x25mm

- System components for the highest safety requirements
- In aluminum, stainless steel and galvanized steel
- High quality
- Tested according to the most stringent standards and safety regulations



### Specifications

Ladder rail 72x25mm	✓
Material	Aluminium AlMgSi 0,3
Rail dimension	72x25mm
Version	1 bracket
Version   Rail dimension	1 bracket   72x25mm