



Ladder external width 490mm

6050021

GTIN: 4007126605009

Application as fixed vertical ladders for buildings and machinery, suitable for indoor and outdoor use.

Material
Aluminium, uncoated

Length in m | Number of rungs
0,56 m | 2 Rungs

- Resistant to corrosion in neutral and slightly acidic environments
- Sturdy, easy-grip rail profiles
- Extendable using ladder connectors
- Easy to install

Scope of Delivery:

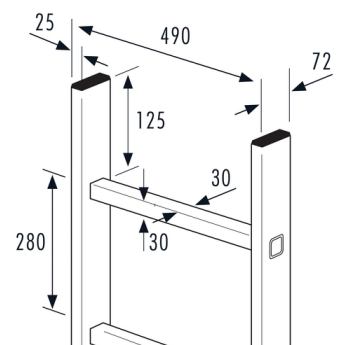
Only ladders, without any accessories

- Ladder sections can be shortened without risk of corrosion
- Non-slip rungs with crosswise and lengthwise profiling



Specifications

Ladder external width in mm	490
Rung spacing 280mm	✓
Material	Aluminium, uncoated
Length in m	0,56
Number of rungs	2
Length in m Number of rungs	0,56 m 2 Rungs
Weight (KG)	1,0
Rail dimension	Square profile 72x25mm



PRODUCT SPECIFICATION SHEET



Rung dimension	30x30mm
----------------	---------

Width in mm	440
-------------	-----

