

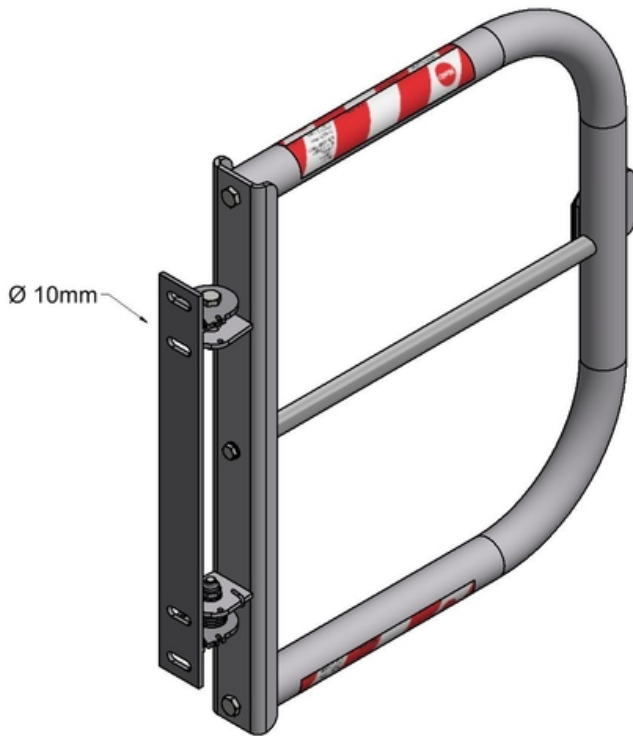
Barriers with knee rail on structures

6020621

GTIN: 4007126040411

Required according to DIN EN ISO 14122-3:2016

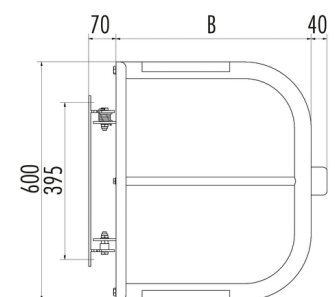
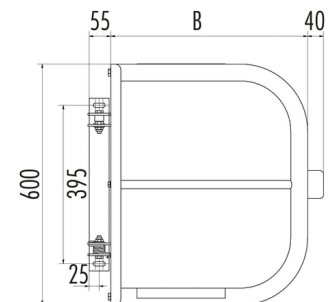
Material
AlMgSi 0,5



- Self-locking right/left

Specifications

Height in mm	600
Width (in mm)	500 - 1000
Weight (KG)	8,5
Material	AlMgSi 0,5



Anbindung 90° - Montage an Wand außen





Anbindung gerade - Montage an Wand innen

