



## HAILO AS Cargo 500 28/17

**3610821**

GTIN: 4007126301079

For cabinets with front-mounted door of 500 mm width



SLIDE



2 BUCKET

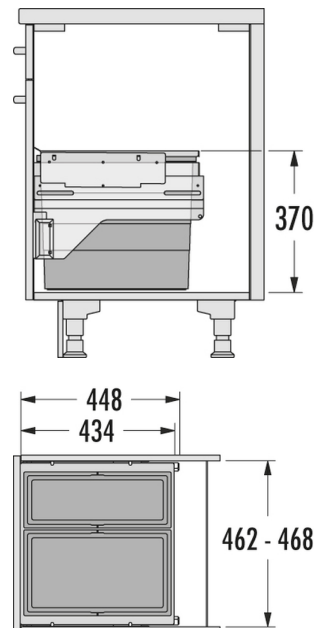
**45 L**

TOTAL

Suitable for cabinet width (cm)  
50

### Specifications

Type of installation	Slide	✓
Cabinet-width min. (cm)		50
Cabinet-width max. (cm)		50
Suitable for cabinet width (cm)		50
available Cabinet-depth min. (mm)		450
Sidewall mounted		✓
Slides		covered, dampened slides with self-closing device with fully synchronized over-travel
Side-wall thickness (mm)		16 - 19 (self-adjusting)
Product dimensions (WxDxH) (mm)		462-468 x 434 x 370
Packing dimensions (WxDxH) (mm)		465 x 385 x 440
System-depth (mm)		448
Number of bins		2
Lid		Sheet metal system lid
Capacity (l)		1 x 28 + 1 x 17
Total volume (l)		45



# PRODUCT SPECIFICATION SHEET

---



Color plastic parts	dunkelgrau
Color metal parts	dunkelgrau
Weight incl. packing (kg)	10,6