

PRODUCT SPECIFICATION SHEET



Hailo AS Cargo 500 28/17

3610821

GTIN: 4007126301079

For cabinets with front-mounted door of 500 mm width



SLIDE



2 BUCKET

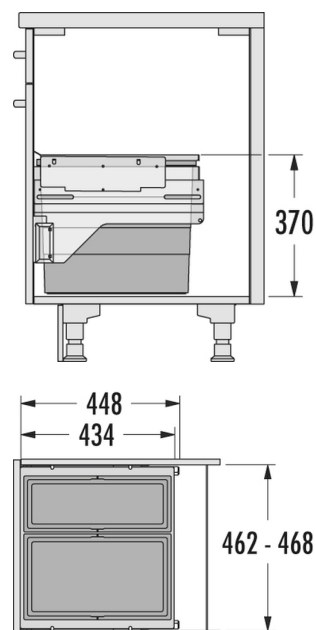
45 L

TOTAL

Suitable for cabinet width (cm)
50

Specifications

Type of installation	Slide	✓
Cabinet-width min. (cm)	50	
Cabinet-width max. (cm)	50	
Suitable for cabinet width (cm)	50	
available Cabinet-depth min. (mm)	450	
Sidewall mounted		✓
Slides	covered, dampened slides with self-closing device with fully synchronized over-travel	
Side-wall thickness (mm)	16 - 19 (self-adjusting)	
Product dimensions (WxDxH) (mm)	462-468 x 434 x 370	
Packing dimensions (WxDxH) (mm)	465 x 385 x 440	
System-depth (mm)	448	
Number of bins	2	
Lid	Sheet metal system lid	
Capacity (l)	1 x 28 + 1 x 17	
Total volume (l)	45	



PRODUCT SPECIFICATION SHEET

Color plastic parts	dunkelgrau
Color metal parts	dunkelgrau
Weight incl. packing (kg)	10,6