



## HAILO AS Tandem 15/15 white antibac

**3666661**

GTIN: 4007126302137

Antibacterial built-in waste-separation system. For hinged door cabinets from 300 mm width



SWING



2 BUCKET

**30 L**

TOTAL

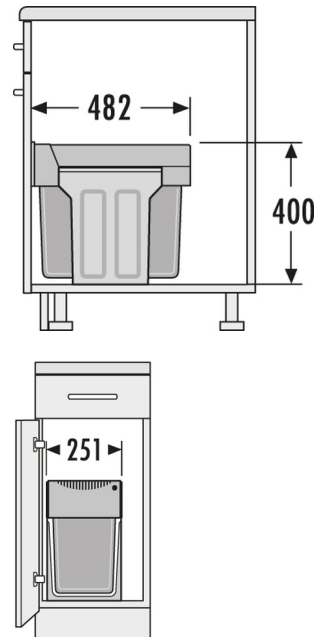
Suitable for cabinet width (cm)

30, 40, 45, 50, 60, 80, 90

99.9 % fewer bacteria on plastic parts thanks to innovative surface structure.

The special surface structure of the plastics used prevents the germination of pathogens of any kind. All plastic surfaces, such as the system lid, handle panel, and inner bins have been given antibacterial protection through the addition of silver ions, reducing the reproduction of bacteria by up to 99.9 %. The active antibacterial agent is contained in the processed plastic, ensuring it remains active and offers lasting antimicrobial protection for many years.

- Lasting, permanent antibacterial protection
- Full antibacterial effect even after 15 years
- Material tested against more than 50 types of bacteria
- Tested in over 2,000 applications
- Test certificates available
- Unusually high speed of action
- FDA approval for use with foods
- Does not contain any nanosilver
- Safe to use – for both, processors and end users
- Effectiveness tested according to ISO 22196



The AntiBac line from HAILO is suitable not only for the home, but also



for medical facilities (e.g. hospitals, doctor's clinics) as well as for nurseries, schools, offices, local authorities, etc.

## Specifications

Type of installation Swing	✓
Cabinet-width min. (cm)	30
Cabinet-width max. (cm)	90
Suitable for cabinet width (cm)	30, 40, 45, 50, 60, 80, 90
available Cabinet-depth min. (mm)	482
Bottom-mounted	✓
Slides	Full extension
Product dimensions (WxDxH) (mm)	251 x 482 x 400
Packing dimensions (WxDxH) (mm)	260 x 504 x 420
Number of bins	2
Capacity (l)	2 x 15
Total volume (l)	30
Color metal parts	white
Color plastic parts	white, blue translucent
Weight incl. packing (kg)	7,8