



HAILO AS Tandem 15/15 Black Edition

3666851

GTIN: 400712630296 0

For hinged door cabinets from 300 mm width



SWING



2 BUCKET

30 L

TOTAL

Suitable for cabinet width (cm)

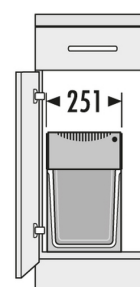
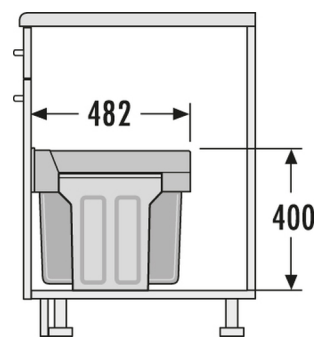
30, 40, 45, 50, 60, 80, 90

The purchase price includes the planting of a new tree and HAILO donates an additional tree.

The reforestation specifically takes place in the Haiger/Burbach area, in the border triangle HE/RP/NRW.

Specifications

| | | |
|-----------------------------------|-------|----------------------------|
| Type of installation | Swing | ✓ |
| Cabinet-width min. (cm) | | 30 |
| Cabinet-width max. (cm) | | 90 |
| Suitable for cabinet width (cm) | | 30, 40, 45, 50, 60, 80, 90 |
| available Cabinet-depth min. (mm) | | 482 |
| Bottom-mounted | | ✓ |
| Slides | | Full extension |
| Product dimensions (WxDxH) (mm) | | 251 x 482 x 400 |
| Packing dimensions (WxDxH) (mm) | | 260 x 504 x 420 |
| Number of bins | | 2 |
| Capacity (l) | | 2 x 15 |



PRODUCT SPECIFICATION SHEET



| | |
|---------------------------|-------|
| Total volume (l) | 30 |
| Color metal parts | Black |
| Color plastic parts | Black |
| Weight incl. packing (kg) | 7 |