



# HAILO US Cargo 15 37/15/D

**3613311**

GTIN: 4007126304667

For 15" face frame cabinets



SLIDE



2 BUCKET

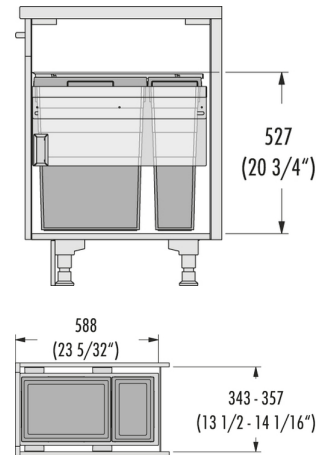
**52 L**

TOTAL



## Specifications

Type of installation	Slide	✓
Cabinet width (inch)	15"	
available Cabinet-depth min. (mm)	570 + frame thickness	
Sidewall mounted		✓
Slides	covered, dampened slides with self-closing device with fully synchronized over-travel	
Side-wall thickness (mm)	12-19	
Product dimensions (WxDxH) (mm)	343-357 x 588 x 527	
Packing dimensions (WxDxH) (mm)	512 x 362 x 600	
System-depth (mm)	569	
Lid	Sheet metal system lid + 1 lid 15 l	
Number of bins	2	
Capacity (l)	1 x 37 + 1 x 15	
Total volume (l)	52	
Color metal parts	silver	
Color plastic parts	light grey	



# PRODUCT SPECIFICATION SHEET

---



Weight incl. packing (kg)

13

---