



HAILO AS Separato M 600 17/D/17/D

10000507

GTIN: 4007126012838

For cabinets with pull-out shelf from 600 mm width



INSET



2 BUCKET

34 L

TOTAL

Suitable for cabinet width (cm)

60

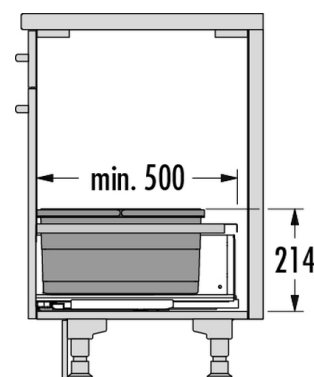
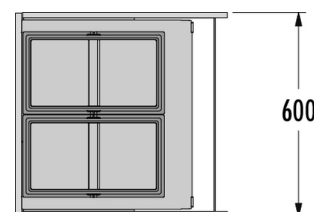
The Separato M is the compact solution for drawers.

With a bin height of just 210 mm, the system is ideal for 2-part fronts – even in handleless versions – especially where there is no space for classic waste separation systems.

The Separato M is suitable for all standard drawer systems.

All bins are fitted with matching lids to ensure cleanliness and odour protection.

The robust metal bin holder ensures stability and long-lasting use in everyday kitchen life.



Specifications

Type of installation Inset	✓
Cabinet-width min. (cm)	60
Cabinet-width max. (cm)	60
Suitable for cabinet width (cm)	60
Nominal drawer-depth (mm) ≥	500

PRODUCT SPECIFICATION SHEET



Product dimensions (DxH) (mm)	500 x 214
Packing dimensions (WxDxH) (mm)	565 x 515 x 260
Lid	2 x Lids 17 l
Number of bins	2
Capacity (l)	2 x 17 l
Total volume (l)	34
Color plastic parts	dark grey
Color metal parts	dark grey
Weight incl. packing (kg)	4,3