



HAILO AS Separato M 800 17/D/17/D/8/D

10000509

GTIN: 4007126012845

For cabinets with drawer, from 800 mm width



INSET



3 BUCKET

44 L

TOTAL

Suitable for cabinet width (cm)

80

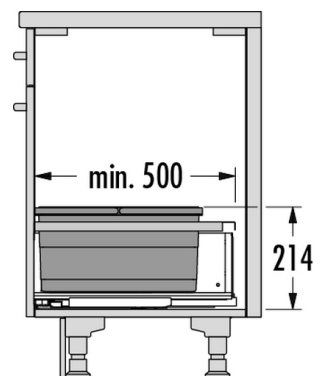
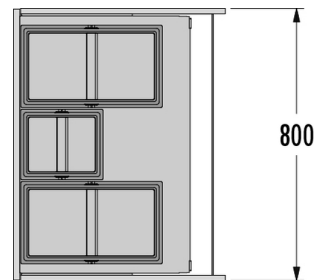
The Separato M is the compact solution for drawers.

With a bin height of just 210 mm, the system is ideal for 2-part fronts – even in handleless versions – especially where there is no space for classic waste separation systems.

The Separato M is suitable for all standard drawer systems.

All bins are fitted with matching lids to ensure cleanliness and odour protection.

The robust metal bin holder ensures stability and long-lasting use in everyday kitchen life.



Specifications

Type of installation Inset	✓
Cabinet-width min. (cm)	80
Cabinet-width max. (cm)	80
Suitable for cabinet width (cm)	80
Nominal drawer-depth (mm) ≥	500

PRODUCT SPECIFICATION SHEET



Product dimensions (DxH) (mm)	500 x 214
Packing dimensions (WxDxH) (mm)	865 x 500 x 270
Lid	2 x Lid 17 l, 1 x Lid 8 l
Number of bins	3
Capacity (l)	2 x 17 + 1 x 8
Total volume (l)	44
Color plastic parts	dark grey
Color metal parts	dark grey
Weight incl. packing (kg)	6