

HAILO PROFILINE MSS XXXL

The large-volume waste separator with the clever bin liner retainer.

THE KEY FEATURES

- For 120 l bin liners
- Tubular aluminium frame
- Can be expanded as required thanks to clip system
- Integrated aluminium frame with rubber ring for easy fixing of the bin liners
- Clip system enables expansion as required; for multiple separation you need the appropriate number of article 0912-110

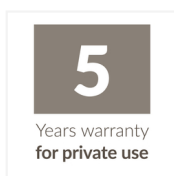
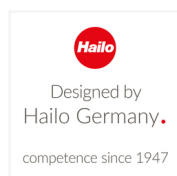


OTHER PRODUCT ADVANTAGES

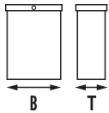
- Flap lid, lid frame and base plate made from plastic (ABS)

PROPERTIES

- Profiline WS 120 l, 1 x 120 l
- Frame: Aluminium
- Base and lid: Grey plastic (ABS)
- Castors available separately as an accessory



SPECIFICATIONS

Level of equipment		5
Bin liner clamp		✓
Capacity		120 l
Height		97 cm
Width		43 cm
Depth		45 cm
Dimensions of packaging (HxWxD)		A = 92 cm, B = 47 cm, C = 9 cm
Weight		2,0 kg
Weight of packaging		3,1 kg
Material		Aluminium/plastic
Color		Grey (RAL 7037)