



## HAILO PROFILINE WSB PLUS XXL

With bin liner holder or galvanised inner bin.

### THE KEY FEATURES

- Foot-operated flap opening with spring-back action
- Lockable hinged door
- Plastic handles on both sides
- Additional magnetic closure for front door
- Extra sturdy and robust
- Galvanized powder coated sheet steel
- Diecast metal pedal
- Capacity: 70 l

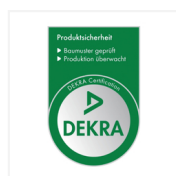
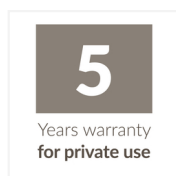
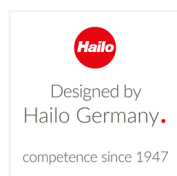
---

### OTHER PRODUCT ADVANTAGES

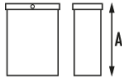
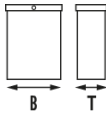
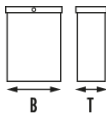
- Replaceable door stop
- Accessories: Base anchors
- Sets of labels for waste separation included (colour-coded plus pictograms)

### PROPERTIES

- Housing: white aluminium (RAL 9006)
- Flap: dusty grey (RAL 7037)
- Inner bin: galvanized



## SPECIFICATIONS

Level of equipment		5
Lid opens using foot pedal		✓
Capacity		70 l
Height		102 cm
Width		40 cm
Depth		40 cm
Dimensions of packaging (HxWxD)		A = 110 cm, B = 47 cm, C = 47 cm
Material		Sheet steel, galvanized
Color lid		Dusty grey (RAL 7037)
Galvanized inner bin		✓
Color		White aluminium (RAL 9006), galvanized inner bin